

Hydro-View User Guide

**Refer to Page 13 for Calibration Procedure when used in
Batch Weigher system Applications**

Hydronix part number: D0022

Revision: 1.06

Revision date: 12 June 2007

COPYRIGHT

Neither the whole or any part of the information contained in nor the product described in this documentation may be adapted or reproduced in any material form except with the prior written approval of Hydronix Limited hereinafter referred to as Hydronix.

© 1996 Hydronix Limited
7 Riverside Business Centre
Walnut Tree Close
Guildford
Surrey
GU1 4UG
United Kingdom

All rights reserved

CUSTOMER RESPONSIBILITY

The customer in applying the product described in this documentation accepts that the product is a programmable electronic system which is inherently complex and which may not be completely free of errors. In doing so the customer therefore undertakes responsibility to ensure that the product is properly installed commissioned operated and maintained by competent and suitably trained persons and in accordance with any instructions or safety precautions made available or good engineering practice and to thoroughly verify the use of the product in the particular application.

ERRORS IN DOCUMENTATION

The product described in this documentation is subject to continuous development and improvement. All information of a technical nature and particulars of the product and its use including the information and particulars contained in this documentation are given by Hydronix in good faith.

Hydronix welcomes comments and suggestions relating to the product and this documentation.

This documentation is intended only to assist the reader in the use of the product and therefore Hydronix shall not be liable for any loss or damage howsoever arising from the use of information or particulars in or any error in or omission from this documentation.

ACKNOWLEDGEMENTS

Hydronix, Hydro-Probe, Hydro-Skid, Hydro-Mix, Hydro-View and **Hydro-Control** are Registered Trade Marks of Hydronix Limited.

Author: R.E.B. Holland B.Eng. C.Eng. MIEE

Table of contents	3
Introduction	9
System overview	9
Scope of this document	9
Organisation of this document	9
Applications of Hydro-View with Hydronix moisture sensors	10
A batch weighing system	11
Batch weighing calibration procedure	13
Calibration	14
Dry Bucket method	15
Method	15
A batch mixing system	17
A continuous process	19
Hydro-View quick start	21
Hydro-View front panel	21
Display contrast adjustment	21
Keypad	21
Soft key legends	22
Moisture display page	22
Max / Min % display	23
Help facility	24
Hydro-View main menu	24
Trend display page	25
Changing operating values	27
Adjusting set-points	28
Material in use	29
Advanced user options and configuration	31
Sensor calibration	31
Sensor set-up menu	32

Output set-up menu	33
Sensor diagnostic display	34
Audible Alarm	34
Material mode	34
RS232 usage	35
RS485 usage	35
Data log rate.....	35
Station number	35
Number of slaves	35
Communications diagnostic page	36
Input 1 / Input 2 use	36
Language selection	37
Factory default settings	37
Sensor set-up	38
Output set-up.....	38
Sensor calibration.....	38
Set-point set-up	38
Other parameters	39
Suggested working values	40
Sensor set-up	40
Output set-up.....	40
Sensor calibration.....	40
Set-point set-up	41
Other parameters	41
Calibration and sampling techniques	43
Recommendations for best performance.....	43
Equipment required.....	44
Taking the samples	44
Batch mixer system sampling method	44

Continuous system sampling method.....	45
Drying the samples	45
Recommendations for best performance.....	45
Calculating the moisture percentage	45
Entering results into the Hydro-View	46
What happens with your results	46
Grouping channels	49
Group moisture variables.....	49
Group moisture display	49
Effect of communications errors on grouped systems	50
Example - a twin bin grouped system using RS232	51
Example - a four bin grouped system using RS485	52
Installation.....	55
Power supply connections	55
Adjusting the Hydro-View mains operating voltage	56
Field connections	56
Sensor Connections – Hydro-Probe II.....	57
Installation guidelines.....	57
Connecting the Hydro-Probe II to the Hydro-View	57
Sensor Connections – Hydro-Probe I.....	58
Analogue output connections.....	59
Digital input connections	60
Relay output connections.....	61
Material selection using Digital I/O	61
Protection from lightning strikes.....	63
Troubleshooting	64
Factory test display	64
Installation problems	65
Sensor installation faults.....	66
Sensor characteristics.....	67

Using Hydro-View serial ports	71
RS232 serial port	71
RS485 serial port	72
Installation of RS485 module	72
RS485 connections	72
RS485 termination.....	72
Data log mode	73
Batch print mode	74
ASCII Hex mode	75
Scope	75
Physical connection.....	75
Line signalling information.....	75
Basic frame format	75
Frame types	76
Request frame types ('command set')	77
Timing constraints	78
ASCII Hex protocol examples	78
Appendix.....	79
Access codes	79
Electromagnetic Compatibility Directive - 89/336/EEC.....	79
Index	81

List of figures

• Figure 1 - Batch weighing example.....	11
• Figure 2 - Batch mixing system.....	17
• Figure 3 - Continuous mixing process	19
• Figure 4 - Hydro-View front panel.....	21
• Figure 5 - Moisture display.....	22
• Figure 6 - Help facility	24
• Figure 7 - Main menu	24
• Figure 8 - Trend display	26
• Figure 9 - Selecting parameters.....	27
• Figure 10 - Changing a value.....	27
• Figure 11 - Changing options.....	28
• Figure 12 - Sensor diagnostic display.....	34
• Figure 13 - Communications diagnostic	36
• Figure 14 - Sensor calibration line	47
• Figure 15 - Group moisture display.....	50
• Figure 16 - Twin bin grouped system.....	51
• Figure 17 - Four bin grouped system.....	53
• Figure 18 - Panel mounting the Hydro-View.....	55
• Figure 19 - Hydro-View mains transformer.....	56
• Figure 20: Connecting the Hydro-View to a Hydro-Probe II	57
• Figure 21 - Sensor extension cable connections.....	58
• Figure 22 - Hydro-View rear panel.....	58
• Figure 23 - Hydro-View main circuit board	59
• Figure 24 - Analogue output wiring	60
• Figure 25 - Digital inputs	60
• Figure 26 - Internal/external excitation.....	60
• Figure 27 - Relay output schematic	61
• Figure 28 - Material selection using digital I/O.....	62
• Figure 29 - Factory loop-back test wiring.....	65
• Figure 30 : Using test blocks.....	68
• Figure 31 - RS232 serial port.....	71
• Figure 32 - RS485 interface.....	72
• Figure 33 - RS485 module circuit board	73

Note: This manual references older versions of Hydro-Probe Sensors which have now been superseded by the Hydro-Probe II. Hydronix recommends that all new installations should use the latest available sensor cable, which should be connected to the Hydro-View according to the instructions in the Hydro-Probe II User Guide.

System overview

The Hydro-View provides display and control-system interface facilities in an easy-to-apply form for a single channel of moisture measurement using any of the moisture sensors from the Hydronix range.

Key features include...

- Hydronix sensor input including power supply source for sensor.
- 0-10Vdc or 4-20mA analogue output (link selected option) with working range scaled from front panel.
- Graphic display provides large characters for legibility and 'chart-recorder' displays of sensor measurements.
- RS232 serial port built in for communication to external systems or printer.
- Plug-in RS485 multi-drop serial port module (extra-cost option).
- Two digital inputs that may be configured for batch averaging, input filtering and material level functions.
- Sensor fault or out of range alarm relay output.
- Two programmable set-point relay outputs.
- Panel mounting model HV02 has 146x98mm facia dimensions with 140x92mm panel cut-out. Overall depth including IEC connector is 205mm

Scope of this document

This guide describes Hydro-View model HV02 and associated options as indicated on the rear panel label. Earlier versions of the Hydro-View do not contain all the features of the HV02 and you should refer instead to the appropriate guide.

Organisation of this document

This guide is organised into the following sections...

Section	Readership	Description
Introduction	All	Orientation.
Hydro-View quick start	All	How to operate the Hydro-View front panel to select displays, change working values etc.
Advance user options and configuration	Engineer	How to configure the Hydro-View for a particular application.
Calibration and sampling techniques	Supervisor & Engineer	How to take samples of the material in use and obtain results for calibrating the Hydro-View unit.
Grouping channels	Engineer	How to use multiple moisture sensors to compute average values.
Installation	Engineer	How to install the Hydro-View in a control panel and connect it to your control system.
Using Hydro-View serial ports	Engineer	How to configure and operate the Hydro-View for use with RS232 and RS485 communications.

Applications of Hydro-View with Hydronix moisture sensors

The Hydro-View is used in conjunction with any of the moisture sensors from the Hydronix range. Applications of the sensors normally fall into one of the following categories...

- Where the average moisture content of a batch of material is required, the material passing over the sensor only once during the batch. An example of this is in the batch weighing of materials out of a storage bin with the moisture sensor (normally a Hydro-Probe but possibly also a Hydro-Skid) mounted in or close to the outlet of the bin. This type of application is referred to as a *Batch Weighing* application in this manual.
- Where the moisture content of batch of material is measured continuously with the material being recycled over the sensor, which in this case would normally a Hydro-Mix. An example of this is a batch mixing application, where the homogeneity of the batch is important. This type of application is referred to as a *Batch Mixing* application in this manual.
- Where the moisture content of a continuous stream of material is required. The material passes the face of the sensor only once, but the moisture value is then used as a feedback signal in a control loop. An example of this would be a Hydro-Skid sensor mounted on the output conveyor of a continuous mixing system. This type of application is referred to as a *Continuous process* in this manual.

Each of these categories of applications would require the use of different facilities and settings within the Hydro-View.

The selection of appropriate Hydro-View facilities and interfacing to external equipment is essential in obtaining the best performance from your Hydronix moisture measurement system - inappropriate choice of the operating conditions is the biggest single cause of poor performance.

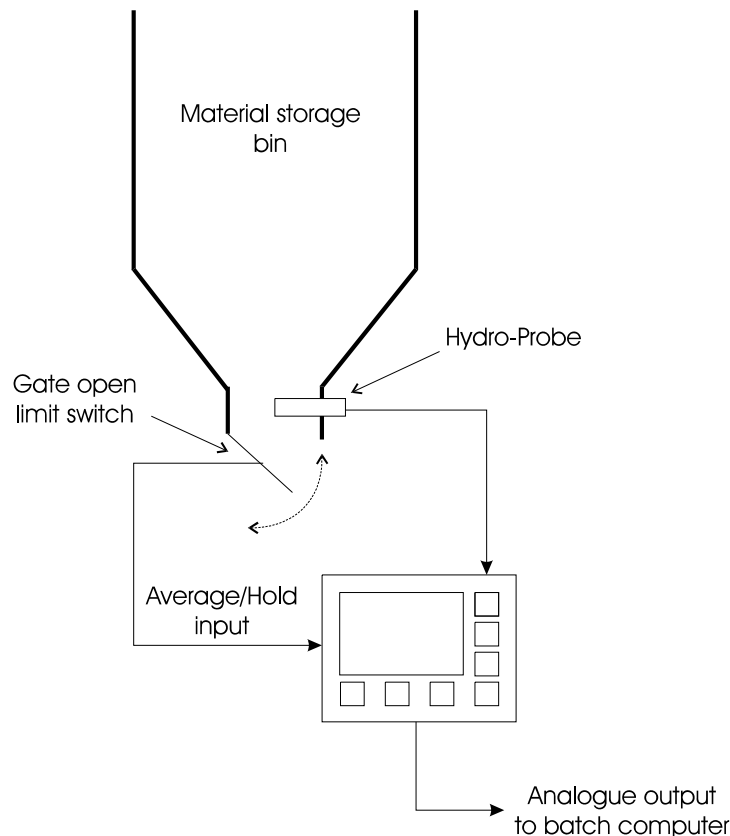
Examples of these three categories are described below. These may be used as a guide in developing your own systems although the applications of the Hydro-View are not limited to these applications. The examples show the minimum configurations required and in general do not show variations in the use of interfacing techniques, which are described elsewhere.

A batch weighing system

A typical example of a batch weighing system involving a moisture measurement point (in this case a Hydro-Probe) at the output of the storage bin is shown in Figure 1.

The Hydro-View is interfaced as follows...

- ⇒ Feed a signal to a digital input on the Hydro-View indicating when the gate is open. This signal can be derived either from a limit switch on the gate or from an auxiliary contact on the *Open gate* output in the batch control system, whichever is most convenient. Configure this input as an Average/Hold input (see *Input 1 / Input 2 use* on page 36).
- ⇒ Connect the Hydro-Probe sensor to the Hydro-View in the standard way.



• Figure 1 - Batch weighing example

- ⇒ Connect the analogue output to the batch computer and set the output variable to AVERAGE. The output range should be set according to the working moisture range of the material; for most concrete batch applications, the default values of 0 and 20% are appropriate.

Refer to *Installation* later in this document for wiring details.

You may be tempted to short-cut this approach in some of the ways described below - if you do this, you are unlikely to achieve satisfactory results and Hydronix cannot provide technical support under these circumstances.

Recommendations for best performance

ALWAYS make use of the average/hold facility. Even if your batch computer is computing the average moisture value in the batch, you will still need to display the average unscaled

input reading for calibration purposes which can only be done by providing the average/hold input as described.

ALWAYS position the sensor so that the moisture value used is representative of the batch being weighed. Generally, this means positioning the sensor as close to the point of weighing as possible, within the constraints of ensuring sufficient material covers the sensor.

ALWAYS perform the weight correction 'on the fly', towards the end of the same weighing cycle. Some batch systems use the moisture value from one batch to correct the next sequential batch - this is not adequate, as there may be large batch to batch changes in moisture content. In some situations this can lead to the system performance actually being worse when the moisture value is used.

ALWAYS ensure that the storage bins are managed correctly. Running out of material during a batch may lead to errors in the reading, even though out of range readings are not included in the average computation.

ALWAYS ensure that you are getting a meaningful input to the Hydro-View - there is little point wasting time performing calibrations on the system if the sensor is covered by stagnant material or is otherwise subject to inconsistent material flow. Verify this first using the trend recorder display, which is a convenient way of observing the material passing the probe.

ALWAYS use additional sensors where several gates are used - you should not assume that the moisture content of the material flowing out of both gates is the same - it will not be. The results of several Hydro-View units can be combined by use of the serial ports - see *Grouping channels* (p49) for further details.

NEVER attempt to use the NOW reading to correct weights - the moisture content during a batch can change quite dramatically. We have observed variations between 6% and 16% during a single batch - the average value computed by the Hydro-View on the same batch was accurate (compared with a desiccation test on a large sample of the batch) to within 0.2%.

NEVER attempt to use the displayed value for manual input into a batch computer for weight correction if it is possible to interface directly. This relies on an operator to input the value, which at best will be one batch behind and at worst will never be done.

Batch weighing calibration procedure

The procedure detailed below will enable the Hydro Probe, when connected to a Hydro View, to be used with confidence and accuracy. Ultimately, the accuracy of the system will only be as accurate as the method of sampling and drying. Therefore great care must be taken when gathering and drying samples.

The Hydro View is provided with factory default values stored in memory. These default values are for initial installation set-up and allow the system to be used "straight from the box". To accurately calibrate the system, two samples of aggregate are required with at least 2-3% moisture (minimum of 1%) difference and the aggregate flowing in the dynamic state. On initial installation, it can be difficult to obtain two different moisture values in one day. For this reason the "Dry bucket Method may be used for the second moisture value. This should not be used as the final calibration value, but will enable the system to work until a different moisture content is available.

Equipment required

Scales	To weigh 1 Kg, Accurate to 0.1g
Heat source	For drying samples, either hot plate or microwave oven.
Container	For storing samples, either bucket with sealable lid or polythene bags.
Scoop	For collecting samples.

Preparation

It is necessary to set the Hydro-View to work in the Average mode when calibrating the system. If the system is configured to work in the Average mode already then go to the Calibration section below.

To configure the system to work in the Average mode carry out the following.

- ⇒ **Enter** the main menu and log into the system using access code 336.
- ⇒ Move down until **Input 1 Use** is highlighted and **Press the enter key**
- ⇒ **Record** this setting to enable the system to be reset to the original configuration after calibration.
- ⇒ Press either the up or down arrow soft key until **Average/Hold** is displayed. Then press the **Enter** key.

A question will appear asking you to confirm any changes

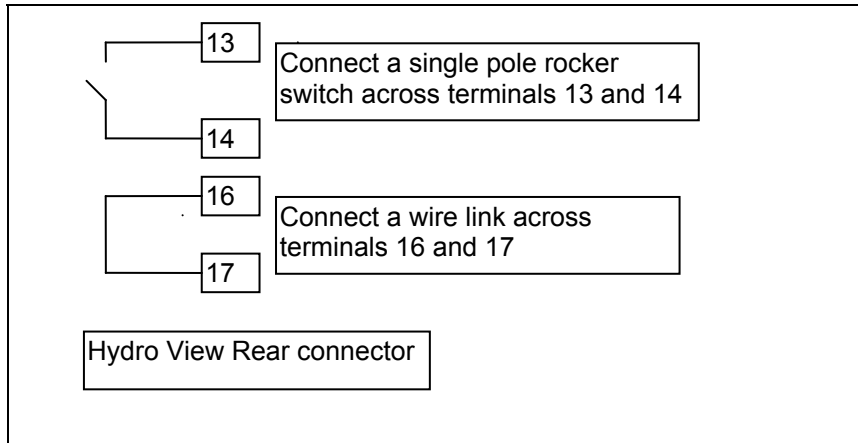
- ⇒ **Press**



- ⇒ Return to the main moisture display.

Connect the following wiring and switch if not already connected.

- ⇒ **Remove power** from the Hydro View by pulling the power cord from the back of the unit.
- ⇒ **Connect** the following



⇒ **Reconnect** power to the Hydro View

Calibration

Read this section completely before starting any calibration.

- ⇒ Log into the system using access code 336.
- ⇒ Select Unscaled Input from the main menu. This display will be used to display the readings required for calibration.

The following operation of collecting samples may require two or more people.

Collecting a sample.

- ⇒ Open the bin gates to discharge a batch.
- If the system does not automatically select the average function then close the switch connected to the Hydro View as the bin gate opens and open the switch as the gate closes..
- ⇒ While the batch is discharging collect two to three kilogram of aggregate which accurately represent samples of the complete batch. Place this in the container or bags and seal.
- ⇒ Record the Average Unscaled Input displayed on the Hydro-View before the next batch is started. The Average Unscaled Input will remain frozen on the display until the start of next batch.

Drying the sample to calculate the moisture content.

- ⇒ Thoroughly mix the sample and remove approximately 1 Kg for drying. Reseal the container.
- ⇒ Accurately weigh the this sample, record this as A
- ⇒ Dry the sample until all traces of moisture have been removed. This can be done by repeatedly weighing the sample between heating until three consecutive weightings are the same. Take great care not to lose any of the sample by careless stirring. Loosing only a few grains will make the test invalid. Record this weight as B.
- ⇒ Calculate $(A-B)/B$, this is the moisture content of the sample.
- ⇒ Repeat the drying sequence for another 1kg removed from the sample above.
 - If the moisture is different by more than 0.1% then one of the samples was not dried out completely and the test has to be restarted.
- ⇒ Record the average of the two readings.

Inputting the calibration into the Hydro-View

Unscaled I/P 2 and moisture 2 must always be of a higher moisture content than Unscaled I/P 1 and Moisture 1. If the factory default figures for Unscaled Input 1 and Moisture 1 are displayed and the new moisture calibration figures are higher than the displayed Unscaled input 2 and moisture 2, then the displayed Unscaled Input 2 and moisture 2 should be transferred into Unscaled Input 1 and Moisture 1 and the new figure entered as Unscaled Input 2 and Moisture 2.

- ⇒ Select Sensor Calibration from the Hydro View main menu.
- ⇒ Input the material table number for the material code to be calibrated.
- ⇒ Enter the new calibration figures.

Before exiting the calibration check that the calibration makes sense !

The M value displayed at the bottom of the display should be in the range 0.3 - 0.6. If it is outside this range the figures input should be checked and the method of collecting and drying the sample checked. If all is correct with the data then contact Hydronix for further assistance.

- ⇒ Exit the calibration page by pressing the softkey as follows



A pop up menu will appear asking you to confirm the changes

- ⇒ Press



- ⇒ When a moisture content with a difference of 2-3% is available repeat from 1 above.

Dry Bucket method

This procedure can be used on initial calibration when the silo can not be re-loaded with aggregate with moisture levels with a difference of 2-3%. It will provide a working system which can be fully calibrated at a later date.

Equipment required

Plastic Bucket

Dry aggregate of approximately 1% moisture, enough to fill the bucket. This can be dried prior to arriving on site. A sample should be tested as above. If not dry to 0.5-1.5% then the aggregate should be dried once more.

Method

- ⇒ Place the Hydro Probe in the centre of the bucket with the ceramic facing the centre and tilted to 10 degrees. The bottom of the probe should be 20mm from the base of the bucket.
- ⇒ Carefully pour the aggregate around the probe as lightly as possible. Do not compact the aggregate but TAP the bucket gently on the ground twice.
- ⇒ On the Hydro View select from the main menu Unscaled input and record the Unscaled input value.
- ⇒ On the Hydro View select from the main menu Sensor calibration and enter the reading for the recorded Unscaled input into Unscaled input 1.

DRY BUCKET METHOD

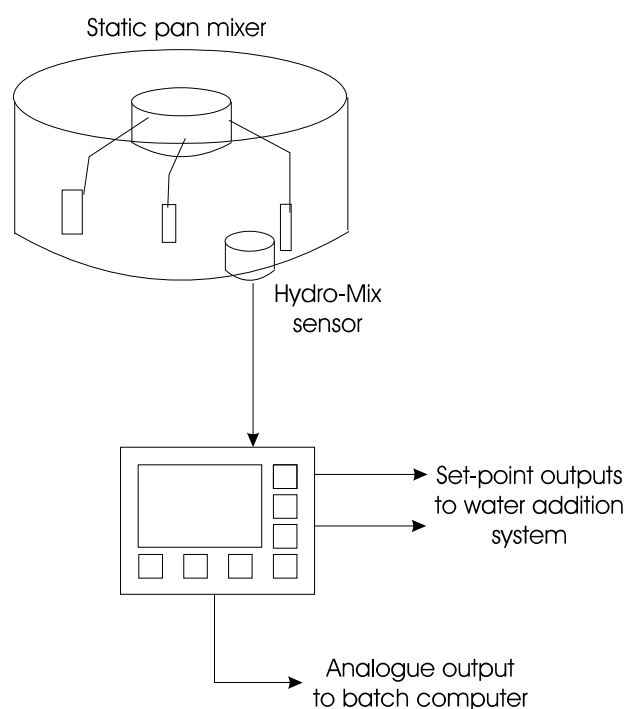
⇒ Dry a sample of the aggregate in the bucket and record it's moisture content, enter this figure into the Sensor calibration page as Moisture one.

A typical batch mixer system using the Hydro-View is shown in Figure 2. Two interfacing schemes are illustrated...

'One-shot calculation' approach

The first scheme uses the analogue output to transmit the moisture content to a batch computer then calculates how much water to add to the mixer. This is an approach used in the Hydronix Hydro-Control IV system, which performs both measurement and water addition.

Improved performance in this type of system can often be obtained by using the Coarse/Fine digital input to select a 'tighter' filtering algorithm a few seconds prior to taking the measurement. The filter constants are set up in the *Sensor Set-up* menu.



• Figure 2 - Batch mixing system

'Dribble-feed' approach

The second scheme, which is useful only when there are few time constraints on the mix cycle, uses the set-point outputs to add water to the mixer. The water is added fairly slowly in this case, since it must be mixed evenly before the reading is valid. To speed things up a little, the second set-point output could be used to provide a coarse water feed in the case of very dry materials.

Recommendations for best performance

ALWAYS site the Hydro-Mix sensor in the most appropriate place for the mixer design. The position chosen should ensure that the sensor is covered by sufficient material at all parts of the mixer cycle and is not in an area prone to build up of waste material, which would lead to erroneous readings. General advice on this can be found in the Hydro-Mix sensor data sheet and by contacting your Hydronix supplier.

ALWAYS pay attention to the sensor filter requirement. Static pan mixers in particular create large air pockets in the mix, which cause large 'spikes' in the sensor reading. The digital filter built into the Hydro-View is quite effective at removing these and the constants given in *Suggested working values* (p40) should be adequate for most pan mixer applications.

ALWAYS ensure that the sensor reading has stabilised within the required tolerance band before taking a reading. This indicates that the mix is homogeneous. This may mean extending the mixing time accordingly although excessive mixing times should be avoided to prevent damage to the mix.

ALWAYS position the sensor so that it is easily inspected without removal i.e. so that it can be clearly seen from an inspection door.

NEVER reduce the digital filter constants so low (e.g. 0.01V) as to make the signal response very slow - although this will produce a stable reading, it will probably be the incorrect reading. In particular, watch for mix cycles following production gaps being excessively wet which is a clear sign that the time constant is too long.

NEVER place the Hydro-Mix sensor directly below a water or material feed into the mixer. You should give the materials as much time as possible to mix before it is 'seen' by the sensor.

NEVER calibrate until you are satisfied with the signal from the sensor and that the mixing times are appropriate - otherwise you are wasting your time.

A continuous process

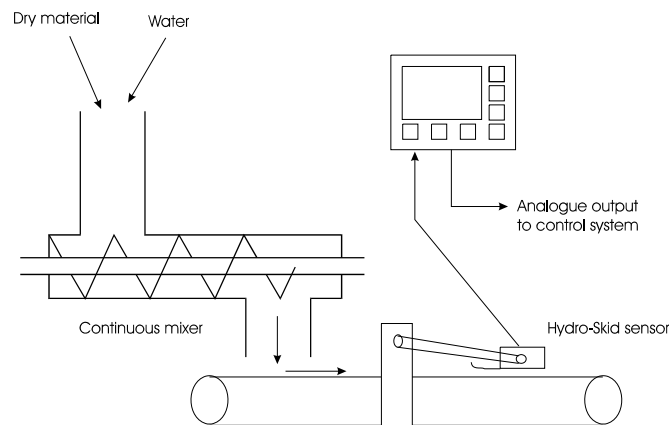
A typical example of a continuous process is shown in Figure 3.

In this case, a continuous mixer is supplied with material to be wetted to a pre-set moisture content. Modulating the water feed, dry-material flow-rate or a combination of both may be used to achieve this.

A Hydro-Skid sensor is used to monitor the output of the continuous mixer on a conveyor belt. In some cases, it may be convenient to use a Hydro-mix sensor at the output of the mixer, depending on mechanical arrangements.

As with many control systems of this type, there is a time lag between the control action point - the input to the mixer - and the point at which the measurement can be made. Hence the response time of the Hydro-View (in terms of the number of samples parameter) should be set in accordance with the time constant of the system to prevent unnecessary and erratic modulation of the valve controller.

Systems such as this have been used successfully in the tempering of materials such as clay and PFA.



• Figure 3 - Continuous mixing process

Recommendations for best performance

ALWAYS site the moisture sensor in the most appropriate place for the application - preferably as near to the control point as possible (to minimise time lag) without compromising the homogeneity of the material passing the sensor. The position chosen should ensure that the sensor is covered by sufficient material at all times during measurement and is not in an area prone to build up of waste material, which would lead to erroneous readings. General advice on this can be found in the Hydronix moisture sensor data sheets and by contacting your Hydronix supplier.

ALWAYS ensure that the sampling and filter parameters are set appropriately for the application - guidelines are given in *Suggested working values* (p40).

ALWAYS provide some means of detecting an empty belt condition when using the Hydro-Skid sensor. In many cases, simply setting the sensor maximum voltage parameter to a suitable value will suffice. The purpose of this would be to prevent the control loop adding water to apparently very dry material. The alarm output relay of the Hydro-View might be used to signal the controller in this event.

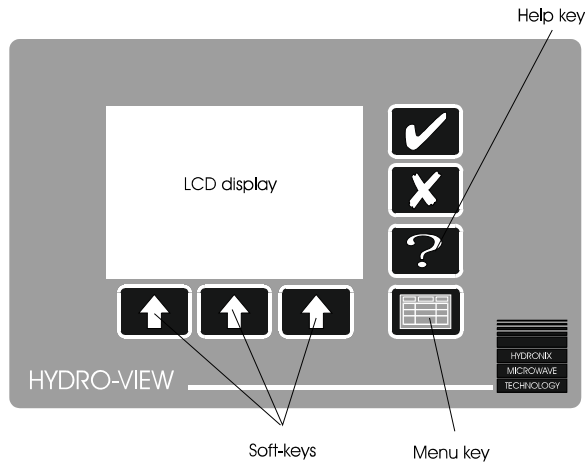
NEVER try to use the Hydro-Skid on very thin layers of material as this will give erroneous readings. All Hydronix sensors work best in bulk materials.

Notes

This section provides a brief introduction to using the Hydro-View for new operators and includes details of how to access the most commonly used facilities.

Hydro-View front panel

Figure 4 shows the front panel layout of the Hydro-View unit. You can use the keypad and display to view and change operating parameters of the Hydro-View.



• Figure 4 - Hydro-View front panel

Display contrast adjustment

The display contrast can be adjusted for optimum viewing by pressing the **X** key (see *Keypad* (p21)) when the Moisture display page (see overleaf) is being shown. You can press the key several times to select the most appropriate of sixteen different contrast settings.


Note that at very low temperatures liquid crystal displays exhibit reduced contrast and this may be particularly noticeable immediately following the application of power to the unit. It may be necessary to adjust the contrast control several times until the unit has established its normal operating temperature in your application.

It is recommended that you leave power applied to the Hydro-View wherever possible as this will also help to maintain the moisture sensor at normal working temperatures.

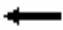






Keypad

The keypad is of a sealed membrane switch construction using dedicated keys for the most commonly used operator level functions...

Legend	Name	Description
	Yes	Confirms changes to data items. Also cancels an audible alarm.
	No	Cancels changes to data items. Also used to adjust display contrast.
	Help	Context-sensitive help facility.
	Select	When pressed causes a menu to be displayed or selects the highlighted item on the menu.

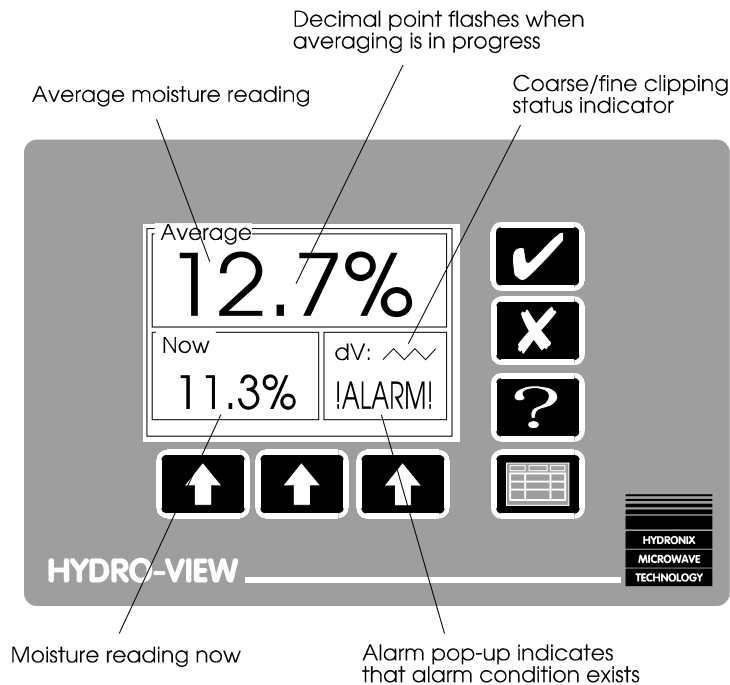
Legend	Name	Description
	Soft key	Allows selection of options displayed above the key which are described in Soft key legends next.

Soft key legends

Legend	Name	Description
	Exit	Return to the previous display or menu.
	Cursor up	Moves the highlight cursor to the previous menu item.
	Cursor down	Moves the highlight cursor to the next menu item.
	Increment value	When editing a numeric value, causes the value to be incremented. Holding the key down will speed up the count.
	Decrement value	When editing a numeric value, causes the value to be decremented. Holding the key down will speed up the count.
	More	Indicates more information available.
	Record	Start recording data.

Moisture display page

When power is applied a start-up display is shown for a few seconds and then the display changes to the default *Moisture display* page shown in Figure 5...



• Figure 5 - Moisture display



Hydro-View maintains several different variables representing the moisture content of the material in use...

<i>'Now' value</i>	This is computed and updated continuously by the Hydro-View from the readings taken by the moisture sensor. This value is normally used for batch mixing type control systems in conjunction with the Hydro-Mix sensor, a stable value indicating that the material in the mixer is homogeneous. This value would also be used in the continuous process type application.
<i>Average value</i>	This is the average of the 'Now' value beginning at an off to on transition of the Average/Hold input and therefore represents the average moisture content in a batch of material. The average value is continuously updated until the input is turned off, at which point it is frozen until the start of the next batch. This value is normally used in ready-mix and similar <i>batch weighing</i> applications in conjunction with the Hydro-Probe and Hydro-Skid products.
<i>Group M1,M2 and Avg values</i>	Additional values computed in various ways from a group of Hydro-Views operating together - see <i>Grouping channels (p49)</i> .

It is legitimate for the moisture value to display a negative value - in some processes this is a useful measurement related to water absorption whilst in others it may indicate that the calibration of the sensor is incorrect.

Note that the *Average* value is not indicated immediately but is shown the first time that the value is computed following the application of power to the Hydro-View. Thus systems not using the averaging facility will only see the *Now* moisture value displayed in large characters at the top of the display.

You can select the moisture display page from any other non-menu page using the following keys...

- ⇒ Press  to display the *Main menu*. The *moisture display* item is already highlighted.
- ⇒ Press  again to select the moisture display page.

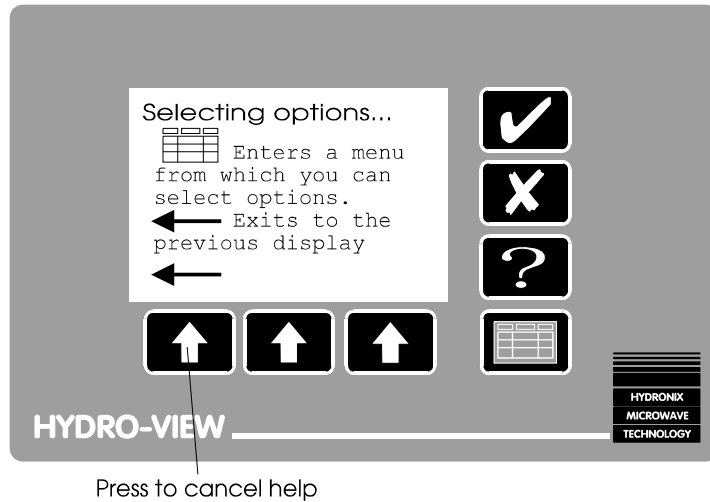
Max / Min % display

The maximum and minimum instantaneous moisture values occurring within an averaging period are recorded by the Hydro-View and may be displayed on demand by pressing the left-hand soft key (maximum %) or centre soft-key (minimum %). The maximum or minimum value will replace the 'NOW' value in the lower left-hand corner of the moisture display page whilst the associated key is held down.

Note that these values are only available when the batch averaging facility is being used.

Help facility

Pressing **?** will change the display to show the options available at any point...



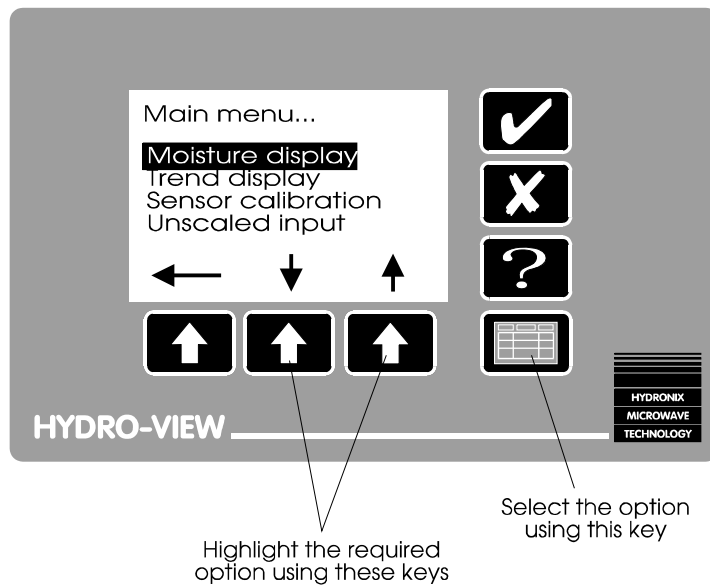
• Figure 6 - Help facility

If you are in any doubt what to do next with the Hydro-View - try **?**

Hydro-View main menu

To obtain a display other than the moisture display page, you must choose from a list of options in the *Main menu*.

This is activated by pressing **?**...



• Figure 7 - Main menu

Choose the menu option you require by using the soft-keys to highlight the option followed by pressing **?** again.

The options available on the main menu by default are:-

<i>Moisture display</i>	The default display when power is applied.
<i>Trend display</i>	A graphical display of moisture and other values plotted against time.
<i>Material in use</i>	Displays the current material number and allows this to be changed.
<i>Set-point set-up</i>	Allows low and high cut-off operating parameters associated with the set-point outputs to be adjusted.
<i>Access code</i>	Allows access to additional operations.

These options are considered to be useful to most operators of the unit and therefore do not require any access code. Additional facilities are described in *Advanced user options and configuration* (p31).

Trend display page

The trend display allows the moisture content to be monitored over a period of time. It is of particular use under the following conditions...

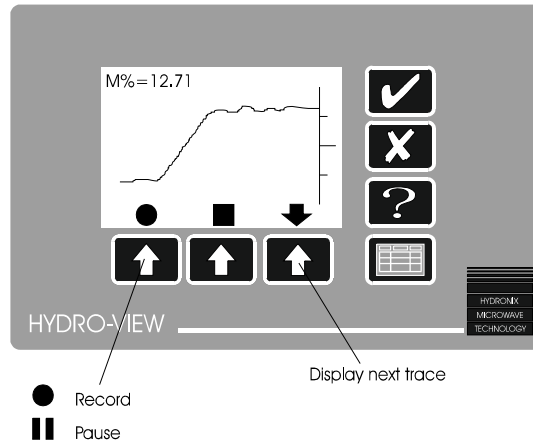
- Monitoring the effectiveness of mixing action when used with a Hydro-Mix sensor. The display quite clearly shows the point at which thorough mixing has occurred.
- Looking at the variation in moisture content within a batch of material. It is inadvisable to take a calibration sample from a batch containing wide variations since this leads to inaccuracies.
- During installation to set up the digital filtering parameters (samples, clipping etc.) applied to the sensor input.

The trend display simulates a paper chart recorder - the 'paper' moves under a fixed 'pen' so that the most recent 100 readings are displayed at any time. Four variables are recorded for each point...

- Instantaneous moisture (M%).
- Average moisture (A%).
- Raw sensor input voltage (V).
- Sensor voltage after 'clipping' (Vc).

Although only one trace is visible at any time on the display, any of the four traces may be selected for display and so it is easy to compare (say) the input voltage before and after clipping has been applied.

The controls are modelled on those of a tape recorder.






• Figure 8 - Trend display

The current value of the variable whose trace is being displayed is shown at the top left hand corner of the display.

For clarity on the small display, the vertical axis is not labelled. However, the traces are scaled according to the values programmed in the *Sensor set-up* menu.

You can select the trend display from any non-menu display page using the following keys...

- ⇒ Press  to display the *Main menu*. The *moisture display* item is highlighted.
- ⇒ Press  to highlight the *trend display* item.
- ⇒ Press  again to select the trend display page.

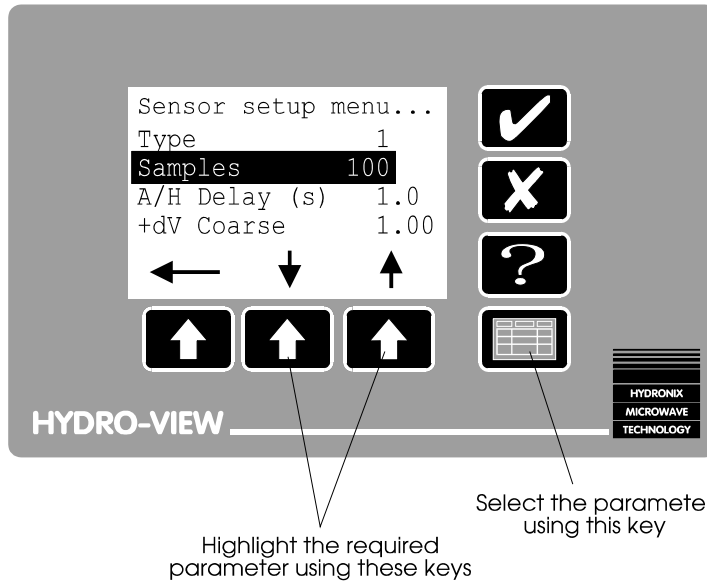
Once the record option has been chosen, the most recent 100 values will be recorded continuously until the pause option is chosen, even if another display page is selected in the meantime.

You can adjust how often a reading is taken by the trend display from the *Sensor set-up* menu.


Changing operating values

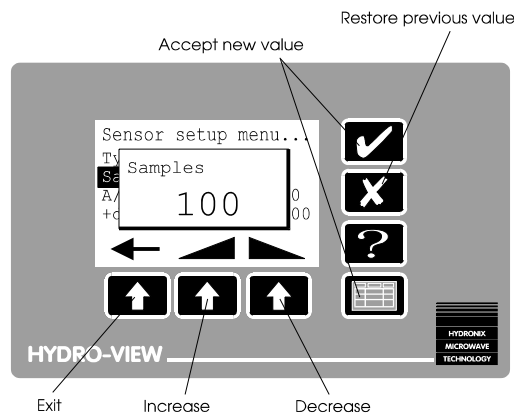
Hydro-View operating values (or *parameters*) are organised in lists of related items. The method for changing these values is described below...

- ⇒ Choose the list you wish to examine from the *Main menu* and then select the item you wish to change by highlighting it using the soft-keys...





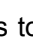


• Figure 9 - Selecting parameters



- ⇒ Press  again, the soft-key legends will change to allow the value to be edited in a *pop-up* window...

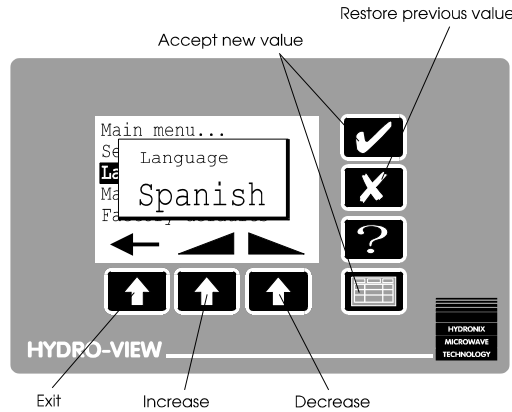


• Figure 10 - Changing a value

- ⇒ Holding down  or  will allow the value to be changed rapidly - the rate accelerates as you hold the key down. The value is bounded at lower and upper limits beyond which it cannot be changed and sometimes these limits will be based on the current values of other items.
- ⇒ Press  or  keys to accept the new value or press  to restore the previous value.




If nothing happens when you press  over a highlighted value, you do not have permission to change this value and will need to enter the appropriate access code.

Sometimes the parameter is not numeric but is instead one of a list of options. In this case  or  will step through the list...



• Figure 11 - Changing options

Usually, the new value will not take effect until you exit from the current list to prevent invalid intermediate combinations of values from being used...

- ⇒ Press  to exit the menu. If any of the values in the list have been changed then a pop-up will appear, requesting confirmation of the changes you have made.
- ⇒ Press  and the new values will become operational or press  to abandon all changes.

Adjusting set-points

The Hydro-View control two set-point output relays. The set-points may be programmed so that the outputs are turned ON within a specified range of moisture contents. This allows the set-points to be used for such purposes as...

- Signalling an acceptable range of moisture content - for example monitoring material on a conveyor belt using a Hydro-Skid sensor or checking the moisture content out of a mixer using a Hydro-Mix sensor.
- Simple control of water addition by using the outputs to turn on a water valve up to a pre-set moisture reading.

Each set-point operates independently and may be programmed with the following parameters...

Parameter	Description
Variable	Whether the Now or Average value of moisture content is to be used as the controlling variable.
Low cut-off %	The moisture content below which the set-point output relay will be turned OFF.
High cut-off %	The moisture content above which the set-point output relay will be turned OFF.
Hysteresis %	The % by which the moisture content must exceed the low cut-off or be below the high cut-off before the output relay will make an OFF to ON transition. This is used to prevent 'jitter' near to the programmed cut-off points.
Delay (s)	The time (in seconds) for which the moisture content must be within a range for any action to be taken.






Note that only the Low and High cut-off values can be adjusted unless an access code is entered. When this option is selected from the main menu, you will first be prompted for the set-point number which you wish to adjust.

Material in use

The Hydro-View stores calibration settings for up to ten different materials, numbered 1 to 10. You must ensure that the material number in use by the Hydro-View matches the material being presented to the sensor otherwise you will get erroneous moisture values.

Quite often the selection of material number may be controlled by an external system in which case you will not be able to adjust the material number from the Hydro-View keypad although the current setting will be displayed.

To select the material number from the moisture display page...

- ⇒ Press  to display the *Main menu*. The *moisture display* item is highlighted.
- ⇒ Press  to highlight the *Material in use* item.
- ⇒ Press  again. A pop-up will appear.
- ⇒ Adjust to the required value as described in *Changing operating values* (p27) and press  to accept the new value.
- ⇒ Return to the current display page by pressing 

Notes

The menu options described in this section are only available if the relevant access code has been entered, otherwise they will appear as ... on the Hydro-View display.

Access codes are listed at the end of this manual.

<i>Sensor calibration</i>	Allows calibration values to be set from the results obtained by taking laboratory samples.
<i>Unscaled input</i>	Displays the sensor input prior to scaling for use during calibration.
<i>Sensor set-up</i>	Allows the operating parameters of the sensor to be adjusted.
<i>Output set-up</i>	Allows the analogue output range and variable to be adjusted.
<i>Sensor diagnostic</i>	Displays some engineering values about the sensor and the Hydro-View.
<i>Audible Alarm</i>	Determines whether the internal bleeper is sounded when a sensor alarm is triggered.
<i>Material Mode</i>	Determines how the <i>Material in use</i> number will be selected.
<i>RS232 Usage</i>	Configures the RS232 serial port.
<i>RS485 Usage</i>	Configures the (optional) RS485 port.
<i>Data Log Rate</i>	Sets how frequently moisture data will be sent to the serial port(s).
<i>Station number</i>	Sets the station number of this Hydro-View unit in a multi-drop configuration.
<i>Number of slaves</i>	In a master/slave Hydro-View configuration, determines how many slave units are to be used.
<i>Comms diagnostic</i>	Displays performance information about the RS232 and RS485 communications ports.
<i>Input 1 use</i>	Selects how digital input 1 will be used.
<i>Input 2 use</i>	Selects how digital input 2 will be used.
<i>Language</i>	Allows the operating language of the Hydro-View to be chosen from a list of supported languages.
<i>Factory defaults</i>	Allows factory default parameters to be restored.
<i>Factory test</i>	Executes a set of diagnostic programs on the Hydro-View to verify operation of the unit.

Sensor calibration

The electrical properties of different materials can be quite diverse and it is often necessary to calibrate the moisture sensors to suit different materials.

Hydro-View allows the calibration values for up to ten different materials to be stored internally in a *material table* which can then be recalled instantly by using a *Material in use* number. This number can be selected either locally at the keypad or remotely using the serial ports.

The Hydro-View uses a two-point calibration method which requires you to enter values from two samples of material at different moisture contents. A minimum difference of 1% in moisture content between the two samples is required to reduce possible calibration errors, although a larger difference is preferable.

Parameter name	Default Value	Description
Unscaled i/p 1	4.15	Unscaled input value for calibration sample 1
Moisture % 1	0.00	Actual moisture % value for calibration sample 1
Unscaled i/p 2	28.40	Unscaled input value for calibration sample 2
Moisture % 2	11.00	Actual moisture % value for calibration sample 2
SSD %	0.00	SSD offset for this material

The basic calibration procedure is as follows...

- ⇒ Monitor the *Unscaled Input* display on Hydro-View and record either the instantaneous or average value shown (as appropriate for your application) at the time of taking a sample.
- ⇒ Perform a *desiccation* or *bake out* test on the sample to establish the true moisture content by weighing the sample before and after drying. Recommended procedures are given later in this guide in Calibration and sampling techniques
- ⇒ Enter the results into a material table using the Hydro-View *Sensor Calibration* page.

Each material calibration table allows a compensating value to be entered. This is known as the *Surface Saturated Dry* or *SSD* offset and represents a value which will be subtracted from the moisture value before it is displayed or otherwise output. Its purpose is to adjust the displayed moisture reading for the absorption properties of the material.

The Hydro-View uses the two calibration values to compute a calibration line for the material of the form...

$$y = mx + c$$

where y is a moisture value, x is the corresponding unscaled input from the sensor, m is the slope of the calibration line and c is the intercept.

The computed values for m and c are indicated on the calibration display.

Further details will be found in Calibration and sampling techniques on page 42.

Sensor set-up menu

Hydronix moisture sensors output a voltage signal, which varies according to the moisture content of the material. However, the signal may be disturbed by the presence of other materials such as mixer blades passing in close proximity to the sensor. These unwanted signals form 'noise' in the system and would result in errors in the reading if they were not filtered out. Fortunately these noise 'spikes' are characterised by being of short duration and having relatively fast rise and fall times and may therefore be effectively eliminated by filtering the input signal in a manner appropriate to the application.

The Hydro-View uses the parameter list in the *Sensor set-up* menu to control how the raw voltage signal from the sensor is processed to derive the moisture content.

Parameter	Default Value	Description
Type	1	Sensor type. Defines the signal processing algorithm used for this sensor.
Samples	5	Number of sensor samples used to evaluate the 'NOW' moisture reading. Range 1 → 1000.
A/H delay	0	Time interval between the average/hold input going active and the start of averaging. Range 0.0 → 100.0 seconds.
Sync Delay	0.00	Time interval between a sync signal arriving at a digital input and a sensor reading being taken. Used to synchronise the readings to external events. The Sensor Type parameter must be set to 2 for this to be used. Range 0.00 → 10.00 seconds.

Parameter	Default Value	Description
+dV Coarse	1.00	Positive coarse filter input rate limit. Sets the maximum positive voltage change between successive samples. Used to filter out noise from the signal. Range 0.01 → 10.00V
-dV Coarse	1.00	Negative coarse filter input rate limit. Sets the maximum negative voltage change between successive samples. Used to filter out noise from the signal. Range 0.01 → 10.00V
+dV Fine	0.10	Positive fine filter input rate limit. Range 0.01 → 10.00V
-dV Fine	0.10	Negative fine filter input rate limit. Range 0.01 → 10.00V
Minimum volts	0.5V	Minimum sensor voltage accepted before an alarm is issued. Used to detect broken sensor cable. Range 0.5V → Maximum volts.
Maximum volts	12.0V	Maximum sensor voltage accepted before an alarm is issued. Range Minimum volts → 12.0V
Trend step	1.0	Sets the update interval on the trend recorder display. Range 0.1 → 10.0 seconds
Trend lower	0.00	Sets the minimum moisture value displayed on the trend recorder display. Range -99.99 → 99.99%
Trend upper	20.00	Sets the maximum moisture value displayed on the trend recorder display. Range -99.99 → 99.99%
Alarm Lo	0.00	Sets the minimum moisture value allowed before an alarm occurs. Range -99.99 → 99.99%
Alarm Hi	20.00	Sets the maximum moisture value allowed before an alarm occurs. Range -99.99 → 99.99%

Output set-up menu

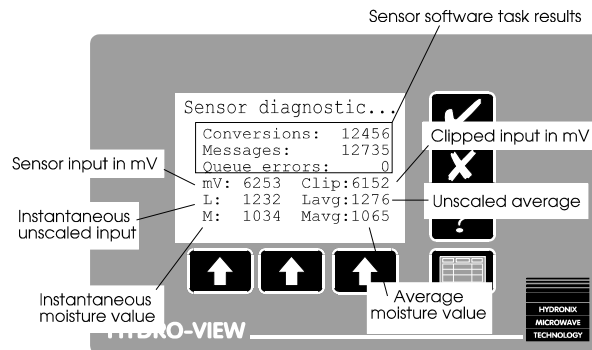
The Hydro-View 0-10V (4-20mA) analogue output can be set to represent any convenient moisture content range by choosing *Output set-up* from the *main menu*.

The parameters that may be set here are...

Parameter	Default Value	Description
Minimum %	0.00	The moisture value represented by an output of 0V or 4mA.
Maximum %	20.00	The moisture value represented by an output of 10.00V or 20mA.
Calibrate %	0.00	Used to force a known value to the output for calibration of external equipment.
Variable	NOW	Selects which moisture variable will be output. Options available are... <i>Now</i> - described elsewhere. <i>Average</i> - described elsewhere. <i>V-Clip</i> - sensor voltage after rate limiting filter has been applied. <i>Calibrate</i> - provides a fixed value determined by the Calibrate % parameter above. <i>Group M1, Group M2, Group Avg</i> see <i>Grouping channels</i> (pon page 49).

Sensor diagnostic display

This is provided so that Hydronix technical support can assist you in the event of any problems with the system. The information contained is of an engineering nature and will not normally be used. However, a brief description is shown in the diagram below...



• Figure 12 - Sensor diagnostic display

This information is updated continuously, so a description of what is happening to this display is quite useful in the diagnosis of any problems.

Audible Alarm

The Hydro-View will turn on its alarm relay output under a number of conditions...

- When the sensor voltage is outside the range programmed in the *Sensor Set-up* menu. This is used to detect a faulty sensor and in particular a broken cable.
- When the moisture value is outside the range programmed in the *Sensor Set-up* menu.
- When the moisture value is outside the range programmed in the *Output Set-up* menu.

The internal beeper of the Hydro-View will give an alarm if the *Audible Alarm* parameter is set to *On*. When an alarm occurs, the beeper can be turned off by pressing , although the relay output will remain energised.

Material mode

The material calibration table number to use at any instant can be determined from any of three sources, although only one such source can be used at any time. The source is selected using the *Material mode* parameter on the main menu.

The possible sources are...

- | | |
|--------------------|---|
| <i>Keypad</i> | The material calibration table number to be used is entered via the keypad. |
| <i>Digital I/O</i> | The set-point output relays and digital inputs are used to select material tables 1, 2, 3 or 4. Refer to <i>Material selection using Digital I/O</i> (p61) for external connection details. |
| <i>Serial</i> | The material table is selected remotely using either the RS232 or RS485 serial ports. |

This option will normally be set at installation time and never changed.

RS232 usage

The RS232 port can be configured to operate in a number of different ways...

<i>Disable</i>	RS232 port is unused.
<i>Data Log</i>	The current moisture values are transmitted periodically, as determined by the Data Log Rate parameter.
<i>ASCII Hex</i>	Provides two-way communication between the Hydro-View and another system, using a simple ASCII Hex protocol.
<i>Master</i>	The port acts as a master device to another Hydro-View unit configured for ASCII Hex on its RS232 port. See <i>Grouping channels</i> (p49) for further details.
<i>Batch Print</i>	The port will print a report of the moisture variables each time the Average/hold input is turned off, thus providing an end of batch report.
<i>RS485 Watch</i>	All information received by the RS485 port will be retransmitted on the RS232 port. By connecting the RS232 port to a personal computer running a terminal emulation program, it is possible to monitor what is happening on the RS485 port for testing purposes.
<i>Sensor Trace</i>	This will output the sensor voltage reading at a rate of 100 samples per second. It is normally used to capture the signal wave-form from the sensor for testing purposes. The value is output as a four digit hexadecimal number where 0000 corresponds to 0.00V and 7FFF corresponds to 12.00V.

RS485 usage

The optional RS485 serial port may be configured to operate in a similar way to the RS232 port. However, the RS485 port allows multi-drop communication on a simple twisted pair cable, permitting several moisture measurement channels to be interfaced with a single communications port. Permitted options are...

<i>Disable</i>	RS485 port is unused
<i>Data Log</i>	The current moisture values are transmitted periodically, as determined by the Data Log Rate parameter.
<i>ASCII Hex</i>	Provides two-way communication between the Hydro-View and another system, using a simple ASCII Hex protocol.
<i>Master</i>	The port acts as a master device for a maximum of three additional Hydro-View units configured for ASCII Hex on their RS485 ports. See <i>Grouping channels</i> (p49) for further details.
<i>Batch Print</i>	The port will print a report of the moisture variables each time the Average/hold input is turned off, thus providing an end of batch report.

Some of these options can be selected at the same time as similar options on the RS232 port, although some combinations will not be logically correct in use - for example, configuring both RS232 and RS485 ports as *Master* will produce undefined results.

Data log rate

Determines how often data is transmitted by a port configured for *Data Log* operation.

Station number

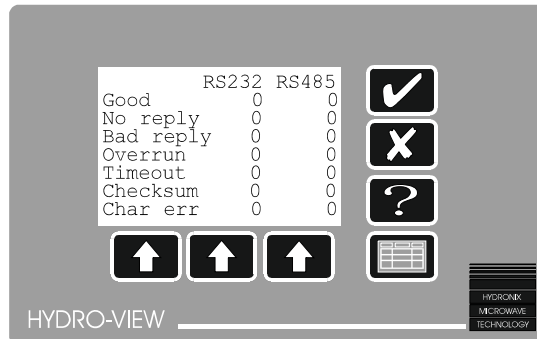
In a communications configuration involving the *ASCII Hex* communications protocol this parameter sets the station number for this Hydro-View unit acting as a slave device.

Number of slaves

In a Master/Slave system (see *Grouping channels* (p49)) this parameter sets the maximum number of slaves which will be used in the system. The Master station will then only attempt to communicate with the number of slave units entered, avoiding wasting communications time on slave units which are not present in the system.

Communications diagnostic page

This provides a page of information relating to the performance of the RS232 and RS485 communications ports and will be used to assist the installation and commissioning of a system. The format is shown below...



• Figure 13 - Communications diagnostic

The two columns of figures will increment as a communications event of the relevant type occurs. The events are relevant only to *ASCII-Hex* and *Master* port settings and are interpreted as follows...

<i>Good</i>	The communications transaction was completed successfully
<i>No reply</i>	The Hydro-View issued a request but did not get a reply within a predetermined period.
<i>Bad reply</i>	The reply to a request contained invalid data or was of incorrect length.
<i>Overrun</i>	Too many characters were received to process.
<i>Timeout</i>	A frame start character was received, but the rest of the frame did not complete within the allowed time.
<i>Checksum</i>	The received frame of data contained an invalid checksum.
<i>Char err</i>	A character framing error occurred.

Input 1 / Input 2 use

Two general purpose digital inputs are provided on the Hydro-View. However, different applications may demand that these be used in different ways and therefore it is possible to configure each input for a specific use. The options available are...

<i>Ave/Hold</i>	Input is used to control batch averaging of the moisture value. Relevant only to batch applications such as ready-mix plants.
<i>Coarse / Fine</i>	Input is used to select between the Coarse and Fine filter control values set in the Sensor set-up menu. This is relevant only to mixer applications in pre-cast and similar industries.
<i>Level</i>	An input indicates that sufficient material is covering the sensor and therefore that the value from the sensor can be used in the averaging process. Relevant only to batch applications such as ready-mix plants. In no inputs are configured as <i>level</i> inputs the material level is always deemed to be acceptable by the Hydro-View.
<i>Material</i>	Input is used to control material number selection. One of four materials may be selected in this way as described in Material selection using digital I/O.
<i>Sync</i>	Input is used to synchronise sensor readings to some external timing signal. Useful in certain batch mixer applications to help remove unwanted noise.

Since there are only two physical inputs available on the Hydro-View, it is not possible to use all of these facilities on a single installation. However, it is most unlikely to need any more than two facilities on the same system and so there is not usually a problem.

Setting both inputs to perform the same function will lead to unspecified results and must be avoided.

Language selection

The Hydro-View now supports operation in many common languages with additional support being added as required.

To select the operating language, choose *Language* from the main menu and simply select from the list of available languages shown.

Factory default settings

Prior to shipment by Hydronix, the Hydro-View operating parameters will have been set to default values. Since these are quite numerous it is useful to be able to reset them all to a known state, particularly when first commissioning a system.

Selecting *Factory defaults* from the main menu produces a display referring the reader to this manual. This is to avoid unintentional resetting of the values.

To restore the factory defaults, press the centre and right-hand function keys simultaneously. A confirmation pop-up box will appear which you must accept before the default values are restored.

The current default values are tabulated in the following pages. Use the right hand column in each section to record the values you have used in your system. A copy of these tables will also be helpful should you need to call Hydronix for technical support.

Sensor set-up

Parameter name	Default Value	Your value	Notes
Type	1		
Samples	5		
A/H delay	0		
Sync delay	0.00		
+dV Coarse	1.00		
-dV Coarse	1.00		
+dV Fine	0.10		
-dV Fine	0.10		
Minimum volts	0.5V		
Maximum volts	12.0V		
Trend step (s)	1.0		
Trend lower %	0.00		
Trend upper %	20.00		
Alarm Lo %	0.00		
Alarm Hi %	20.00		

Output set-up

Parameter name	Default Value	Your value	Notes
Minimum %	0.00		
Maximum %	20.00		
Calibrate %	0.00		
Variable	NOW		

Sensor calibration

Parameter name	Default Value	Your value	Notes
Unscaled i/p 1	4.15		
Moisture % 1	0.00		
Unscaled i/p 2	28.40		
Moisture % 2	11.00		
SSD %	0.00		

Set-point set-up

Parameter name	Default Value	Set-point (1)	Set-point (2)
Variable	NOW		
Low cut-off %	0.0		
High cut-off %	20.0		
Hysteresis %	0.0		
Delay (s)	2		

Other parameters

Parameter name	Default Value	Your value	Notes
Audible Alarm	On		
Material Mode	Keypad		
RS232 Usage	Data Log		
RS485 Usage	Disable		
Data Log Rate	1.0		
Station number	1		
Number of Slaves	1		
Input 1 Use	Ave/Hold		
Input 2 Use	Coarse/Fine		
Language	English		

Suggested working values

The example configurations given in this section should be used as a guide in developing your own systems. However, the applications of the Hydro-View are not limited to these applications. The examples show the minimum configurations required and in general do not show variations in the use of interfacing techniques, each of which is described elsewhere.

The following tables give recommended working values for the three examples described in *Applications of Hydro-View with Hydronix moisture sensors* (p10). These should be treated as starting points, although in practice very little tuning should be required. These values will need to be adjusted to suit changes to interfacing arrangements which may have been employed.

Sensor set-up

Parameter name	Batch weigher	Batch mixer	Continuous process
Type	1	1	1
Samples	5	75 ¹	100 ²
A/H delay	0.5	0	0
Sync delay	0.00	0.00	0.00
+dV Coarse	1.00	0.02	0.02
-dV Coarse	1.00	0.05	0.02
+dV Fine	0.10	0.01	0.02
-dV Fine	0.10	0.02	0.02
Minimum volts	0.5V	0.5	0.5
Maximum volts	12.0V	12.0	12.0
Trend step (s)	1.0	1.0	1.0
Trend lower %	0.00	0.00	0.00
Trend upper %	20.00	20.00	20.00
Alarm Lo %	0.00	0.00	0.00
Alarm Hi %	20.00	20.00	20.00

Output set-up

Parameter name	Batch weigher	Batch mixer	Continuous process
Minimum %	0.00	0.00	0.00
Maximum %	20.00	20.00	20.00
Calibrate %	0.00	0.00	0.00
Variable	AVERAGE	NOW	NOW

Sensor calibration

Parameter name	Batch weigher	Batch mixer	Continuous process
Unscaled i/p 1	4.15	4.15	4.15
Moisture % 1	0.00	0.00	0.00
Unscaled i/p 2	28.40	28.40	28.40
Moisture % 2	11.00	11.00	11.00
SSD %	0.00 ³	0.00	0.00

¹ Depends on rotational speed of mixer. This is three rotations at 2.5 seconds.

² Depends on time constants in feedback control system. This will give a response time of around 10 seconds.

³ Normally set to reflect the absorption properties of material in ready-mix applications.

Set-point set-up

Parameter name	Batch weigher	Batch mixer	Continuous process
Variable	N/A	NOW	NOW
Low cut-off %	N/A	As required	As required
High cut-off %	N/A	As required	As required
Hysteresis %	N/A	0.25	As required
Delay (s)	N/A	2	2

Other parameters

Parameter name	Batch weigher	Batch mixer	Continuous process
Audible Alarm	On	On	On
Material Mode	Keypad	Keypad	Keypad
RS232 Usage	Batch print	Data log	Data log
RS485 Usage	Disable	Disable	Disable
Data Log Rate	N/A	1.0	1.0
Station number	1	1	1
Number of Slaves	1	1	1
Input 1 Use	Ave/Hold	N/A	N/A
Input 2 Use	N/A	Coarse/Fine	Coarse/Fine
Language	English	English	English

Notes

When using Hydronix moisture measurement equipment it is customary to calibrate the equipment to read real moisture percentage, since the sensor reading will be affected by basic physical (dielectric) properties of the material being measured. Therefore it is necessary to make independent tests to determine the real moisture content. A common method of determining moisture content is based on the *desiccation* (drying) of a sample and a suitable technique for use on site is described here.

With materials such as sand, large variations of moisture content can be encountered in a single batch. For instance with stockpiles of sand it is quite possible to measure 4% moisture level at the top of the pile and 16% towards the bottom. When this material is loaded into the storage bins inevitably material is scooped from both the bottom and the top of the pile, thus creating localised stratification of moisture in the bin.

As a bin is being emptied, the stagnant material from the sides, which almost certainly will be at a different moisture level, periodically falls in with the fresh material.

Another feature is the dynamic state of the moisture content in a bin due to the free properties of the material. This is even noticeable in small laboratory samples in plastic containers which, if left to stand even for a very short period of time, will vary from top to bottom.

NOTE: for the reasons given above, collecting a few kilograms of material that is representative to 0.1% accuracy of several tonnes of material is very difficult to achieve. Great care should therefore be taken when conducting these tests.

A variety of laboratory techniques exist. The desiccation test is recommended in that it is an absolute measurement with repeatable results even when carried out by different operatives and it is not dependent on having to know the specific gravity of the material being tested.

As will be appreciated no matter how much care is taken in conducting these tests, sampling and experimental errors will inevitably be present in each result.

Initially the equipment can be calibrated from one actual set of results at the level of moisture contents encountered on site in conjunction with an estimate of calibration points at 0% moisture level, thus providing two separate calibration points spaced reasonably apart. However, improved accuracy will be obtained by taking adding a second true calibration point at a later date when site conditions allow.

Recommendations for best performance

ALWAYS ensure that the sample of material being used for calibration is from a batch with low moisture variation. This can be checked by using the minimum/maximum or trend display facilities on the Hydro-View and will help to prevent sampling errors affecting the results.

ALWAYS take care when working with small samples of material not to lose any during the drying process.

NEVER try to calibrate using extremely wet (near saturation) samples of material - the errors you will make in sampling such material will be very large. A maximum recommended calibration sample limit for sand would be around 12%.

NEVER attempt to calibrate a Hydronix sensor by placing it in a bucket full of material or packing material on the face of the sensor. The 'static' readings obtained in such cases will not be representative of those obtained in the dynamic situation.

NEVER use a calibration method which uses very small samples (e.g. 'Speedy' or infra-red balance) for calibrating coarse aggregates.

NEVER assume that the material flowing out of two gates in the same bin is the same moisture content and do not attempt to take a samples from the flow of both gates in an attempt to get an 'average' value - **ALWAYS** instead use two moisture sensors in these cases, sampling the flow of each one individually - otherwise you will probably be wasting the money spent on the first sensor!

Equipment required

The following equipment is recommended for performing calibrations. Your Hydronix supplier will usually have this equipment available:-

<i>Weighing scales</i>	An electronic or mechanical balance with a resolution to 0.1g and ideally with the facility to weigh up to 1Kg, although 600g is acceptable and perhaps easier to obtain.
<i>Heating source</i>	The most convenient source is a single ring electric hot plate. Other sources such as electric drying ovens, camping gas burners or microwave ovens can be used although extreme care should be taken with the latter.
<i>Heating tray or dish</i>	This should be ceramic (not plastic!) if used with a microwave oven, otherwise metal.
<i>Small hand shovel</i>	For collecting samples from the flow of material.
<i>Plastic bucket</i>	Ideally with plastic lid.

Taking the samples

You should always consider how the sensor is operating when taking your samples and should collect your samples in a manner similar to the way in which the sensor 'sees' the material.

Batch mixer system sampling method

In this situation the preferred calibration samples would be taken from the dry materials. However in many cases this can be impossible to obtain due to physical restrictions and so the following method can be used to acquire two calibration points for the Hydro-View.

Proceed as follows...

- ⇒ Choose a suitable mix cycle to calibrate to.
- ⇒ Record the *unscaled input* at the end of the dry-mix phase when the reading has stabilised.
- ⇒ Record the dry weight of material and the quantity of water added to the batch.
- ⇒ Record the *unscaled input* at the end of the wet-mix, again when the reading has stabilised.
- ⇒ Discharge the mix and collect several samples from different parts of the batch into the bucket.
- ⇒ The material in the bucket should be well and thoroughly mixed immediately prior to taking a minimum of two samples for drying. The samples should preferably be approximately 1Kg in weight but not less than 500gm. For large aggregates it is more important to use a larger sample.
- ⇒ Dry the two samples of material and calculate the moisture content using the drying technique described later. This provides a 'wet-reading' for the Hydro-View calibration table.

- ⇒ Calculate the 'dry-reading' moisture value by calculating back based on the wet-reading, water added, and dry weight of material.
- ⇒ Enter both sets of values into the Hydro-View calibration table.

Continuous system sampling method

In this case you will need to take samples passing the face of the sensor at the same time as recording the *unscaled input* display.

It is normally impossible with this type of system to take a series of samples for mixing together before drying as it is the instantaneous value of moisture content passing the sensor which is required.

The preferred procedure here is to take several spot samples at different moisture contents and plot these on a graph against the corresponding unscaled input. A 'best-fit' calibration line would then be obtained using a linear-regression algorithm (most spreadsheet programs will do this for you). Two points on this line would then be used for entry into the calibration table of the Hydro-View.

Drying the samples

An electric hot-plate (small portable models are available), camping gas burner, electric oven, or microwave oven are suitable.

Proceed as follows...

- ⇒ Weigh the empty container to obtain its tare weight. Record this as value A.
- ⇒ Add the sample of material to the container and weigh again. Record this as value B.
- ⇒ Dry the material using the heat source, checking periodically by weighing until two measurements taken three minutes apart show no significant change. If an open tray is used, the material may be stirred carefully to assist evaporation.
- ⇒ Weigh the container again. Record this as value C.

Normally the drying process for one sample takes approximately 15 minutes.

Recommendations for best performance

ALWAYS try to dry materials as quickly as possible to prevent reactions which may affect the results. This is particularly true of wet-mix concrete which will produce quite different results when dried overnight in an electric oven compared with drying quickly over a hot-plate.

ALWAYS wear safety glasses during the drying process.

NEVER use excessive heat during the drying process. This can result in violent expulsion of small pieces of material from the drying tray which are potentially dangerous.

Calculating the moisture percentage

It is customary to express moisture present by weight as a percentage of the *dry weight* of material. Hence the following formula is used:-

$$M = \frac{(B - C)}{(C - A)} \times 100\%$$

Where...

M = Moisture content.

A = weight of container.

B = weight of container and wet sample.

C = weight of container and dry sample.

Entering results into the Hydro-View

When you have obtained the moisture content of the sample, you need to enter this value together with the corresponding *unscaled input* value into the relevant material table.

Calibration results are entered in the following way...

- ⇒ Select *Sensor Calibration* from the main menu. You will be prompted to enter a material number with which to associate the results.
- ⇒ Enter the unscaled input and associated Moisture % in positions 1 or 2 on the page as appropriate. The Hydro-View requires that the higher moisture content value is entered in position 2.

As the values for the two calibration points are entered, the values of m and c are updated dynamically. These values describe the slope and intercept of the moisture calibration line which the Hydro-View will use to calculate the moisture reading from the unscaled sensor input.

- ⇒ When you finish entering the values, you will be asked to confirm whether or not the system is to be updated. If you accept, then the material calibration table will be updated and if this material number is currently in use the sensor calibration will be changed.

What happens with your results

Entering the results of a calibration test allows the Hydro-View to establish gain (m) and offset (c) parameters permitting the display of the absolute moisture content of the material in use. The moisture content displayed by Hydro-View is given by the linear scaling equation...

$$M = mU + c - SSD$$

where...

M is the moisture content.

U is the unscaled input value.

SSD is the Surface Saturated Dry offset (see below).

m and c are gain and offset parameters calculated automatically by Hydro-View from...

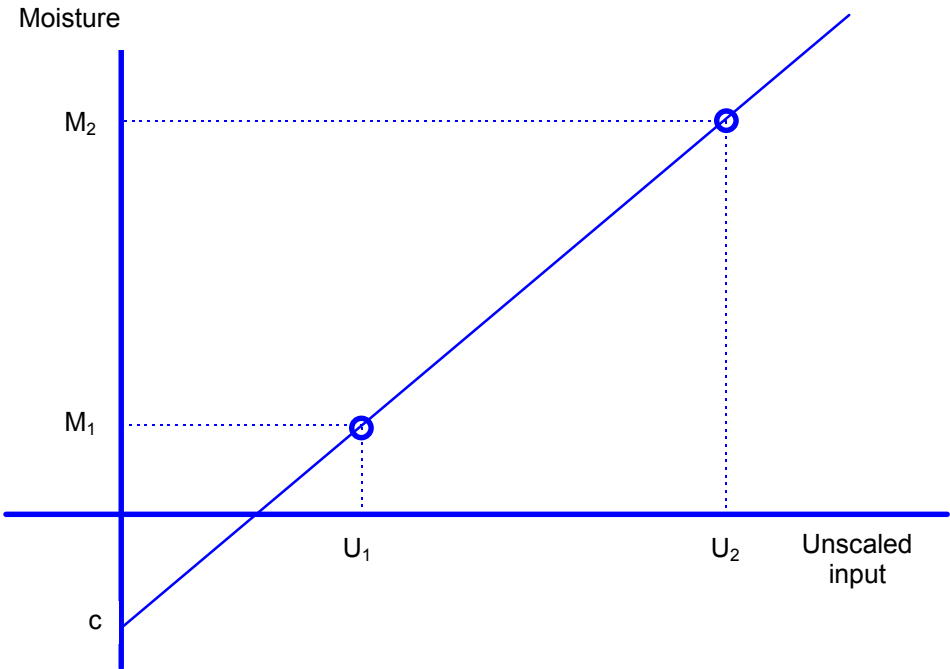
$$m = \frac{(M_2 - M_1)}{(U_2 - U_1)}$$

and...

$$c = M_1 - mU_1$$

where...

U_1, M_1 are the unscaled input and moisture content respectively for the first sample, and U_2, M_2 are the unscaled input and moisture content respectively for the second sample.



• Figure 14 - Sensor calibration line

In some situations and particularly in high-throughput batch plants, it is necessary to measure the moisture content at several points simultaneously and provide an average value. The Hydro-View provides a convenient way of doing this by making use of its serial ports.

If the RS232 port is otherwise unused, then the output of two sensors can be averaged by simply connecting the RS232 ports of two Hydro-View units together using a cross-over cable (available from Hydronix).

The optional RS485 port can be used to provide an average of up to four sensors, which should satisfy most application requirements.

Grouping is achieved by defining one of the Hydro-View units (it does not matter which when using the RS232 interface) as a MASTER station with the other unit(s) as ASCII Hex devices. See examples later for clarification.

The results of the grouping operation can be made available to external systems using either the analogue output port or the second serial port set for *data log* or *batch print* use.

When grouping channels in this way, you must pay particular attention to calibration and in particular do not assume that the material flowing from one gate has the same moisture content as the others - they can be widely different at any instant. You should always aim to take a sample from the flow of a single sensor where possible.

Group moisture variables

The channel grouping facility results in the generation of three additional moisture variables in the system. These are referred to as...

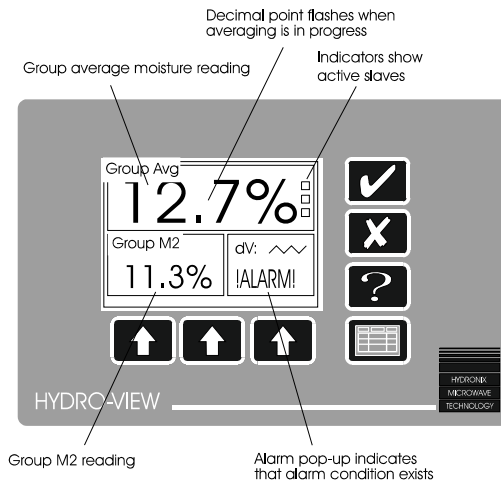
<i>Group M1</i>	The average value of the NOW variables across all grouped units. This might be used in a large batch or continuous mixing application where there is some advantage in measuring the moisture at several points.
<i>Group M2</i>	The average value of the NOW variables across all grouped units which are currently in an 'averaging' state i.e. the average/hold input is ON and the average/hold delay timer has expired. This variable would normally be used by a batch computer performing its own time averaging.
<i>Group Average</i>	The integration over time of the Group M2 value, divided by time since the start of an averaging period. This variable will be used in the majority of grouped applications and in general is not the same as the average of the individual unit average values since the Group M2 value observes the 'averaging' state of individual units.

The group variables automatically ignore channels which are either in an alarm condition and/or have a low level of material (as determined by the optional level sensing inputs).

Group moisture display

When a Hydro-View unit is configured as a MASTER station, you can view the group moisture variables by pressing the right hand soft-key when the standard moisture display is shown. This key will 'toggle' between the standard display, showing the moisture variables local to the unit, and the group display, showing the results of the grouping operation.

Indicators to the right of the group display show which slave stations are currently responding to communications requests from the master station.



• Figure 15 - Group moisture display

Effect of communications errors on grouped systems

The communications links between the master unit and the slave units should be trouble and maintenance free if correctly installed. However, in the event that a communications error occurs between the master and a slave, the slave station will be taken out of the system for a few seconds to allow it to recover and automatic retries will be performed periodically. These errors are most likely to occur during power up/power down of slave systems.

A slave unit which has been powered down will be brought back on-line automatically within a few seconds of power being applied.

Performance of the communications link can be viewed on the *communications diagnostic* page on the master Hydro-View.

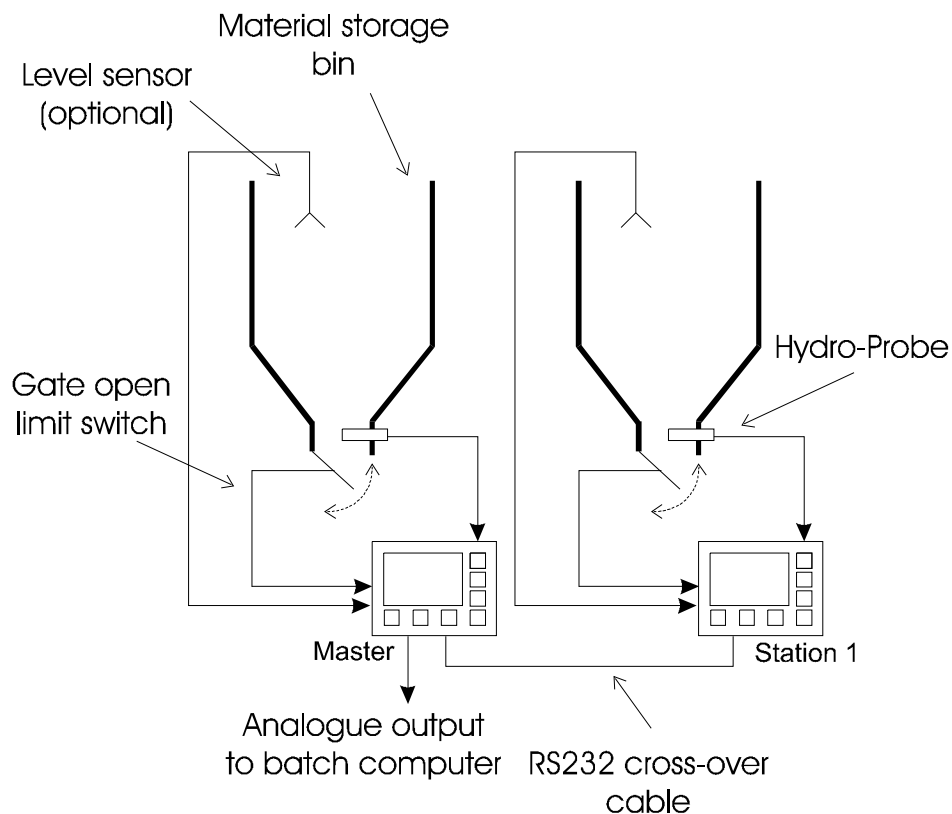
Example - a twin bin grouped system using RS232

Figure 16 shows probably the most common requirement for grouping moisture channels together. The majority of batch computers only provide a single channel of moisture input and when feeding simultaneously either from two bins or from another gate on the same bin there is no provision for combining the results of two moisture measurements.

In this case, the Hydro-View on the left would be configured as a MASTER on its RS232 port, whilst that on the right would be configured as for ASCII HEX on RS232 with a station address of 1.

The two units would be coupled together with a cross-over RS232 cable.

The analogue output of the master unit would be connected to the batch computer, and



• Figure 16 - Twin bin grouped system

the analogue output variable set to *Group Average*. This variable is the batch average of the two channels, which is what is required.

The *Group Average* variable automatically caters for situations where, for some reason, batching is performed from only one bin or gate.

In addition, a bin level sensor input can be provided (level sensor not supplied by Hydronix) to prevent moisture errors in the event that one bin runs empty during a batch.

Example - a four bin grouped system using RS485

Figure 17 shows the maximum configuration which may be achieved with the grouping facility. Although four separate bins are indicated, the same situation may arise with two twin-gate bins.

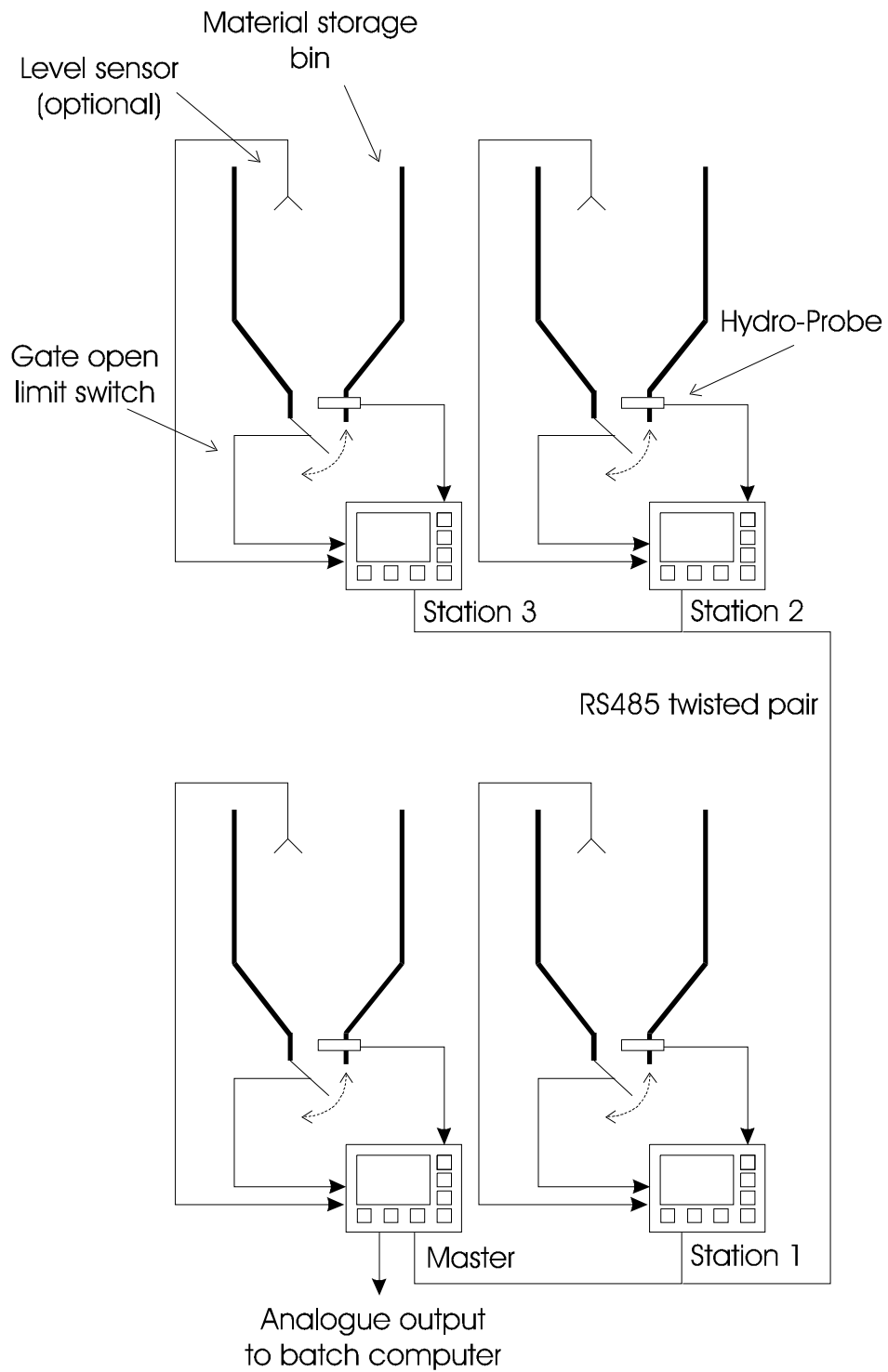
In this case, the Hydro-View on the lower left would be configured as a MASTER on its RS485 port, whilst the remainder would be configured for ASCII HEX on RS485 with a station address of 1, 2 or 3 as appropriate.

The units would be coupled together with a single twisted-pair RS485 cable as described in *Installation*.

The analogue output of the master unit would be connected to the batch computer, and the analogue output variable set to *Group Average*. This variable is the batch average of the four channels, which is what is required when all four bins are feeding at the same time.

The *Group Average* variable automatically caters for situations where, for some reason, batching is performed from less than four bins or gates.

In addition, a bin level sensor input can be provided (level sensor not supplied by Hydronix) to prevent moisture errors in the event that one bin runs empty during a batch.

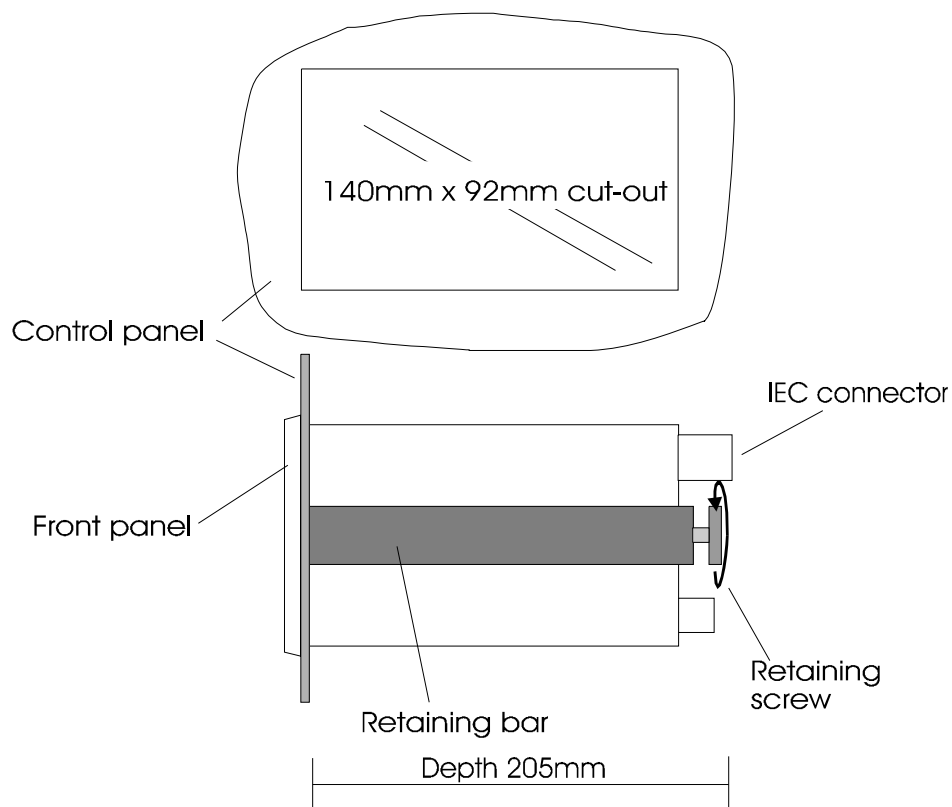


• Figure 17 - Four bin grouped system

Notes

The Hydro-View unit must be mounted in a control panel or suitable alternative for normal operation with only the front panel exposed to the operator.

For optimum display contrast, the unit should be mounted approximately at eye level. The control panel should be cut-out to receive the unit as shown in Figure 18.



• Figure 18 - Panel mounting the Hydro-View

The retaining bar and retaining screw are used to clamp the Hydro-View unit against the front panel. Do not over-tighten the retaining screw - just sufficient torque should be applied to hold the unit in place against the control panel.

Power supply connections

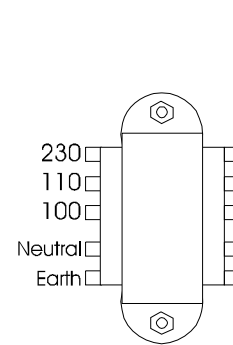
Mains power is connected to the Hydro-View using a standard IEC mains connector. The operating voltage of the unit can be selected by moving an internal link.

Warning: For safety reasons and to meet the requirements of EMC Directive 89/336/EEC the earth connection in the IEC plug must be directly connected to the protective earth conductor in the external system.

Adjusting the Hydro-View mains operating voltage

The mains input voltage for the Hydro-View is selected internally as follows...

1. Remove the 7 screws securing the lid to the case.
2. Remove the lid to reveal the mains transformer and power supply assembly which is mounted on the inside of the lid.
3. Move the BROWN wire to select the appropriate mains voltage as indicated in Figure 19 opposite.
4. Refit the lid and screws.
5. Indicate the new operating voltage on the rear panel using the labels supplied.



• Figure 19 - Hydro-View mains transformer

Field connections

All field connections (except mains and RS232 serial port) are made via plug-in screw terminal blocks located on the rear panel of the instrument.

You should refer also to the wiring labels fitted to the lid of the Hydro-View.

The terminals (numbered 1 through 21) are allocated as follows...

Terminal group	Group function	Terminal	Description
1 - 5	Moisture sensor connections	1	+15V sensor power
		2	0V sensor power return
		3	-15V sensor power
		4	0-10V sensor input +
		5	0-10V sensor input -
6,7	Analogue output	6	0-10V or 4-20mA analogue output
		7	Analogue output return
8-12	RS485 serial port	8	Data A
		9	Data B
		10	
		11	
		12	RS485 0V (for test purposes only)
13-17	Digital inputs	13	+Vdc Input excitation supply
		14	Digital input 1
		15	Digital input 2
		16	Digital input common
		17	0Vdc Input excitation supply return
18-21	Relay outputs	18	Relay common
		19	Alarm
		20	Set-point 1 or material select output 1
		21	Set-point 2 or material select output 2

Sensor Connections – Hydro-Probe II

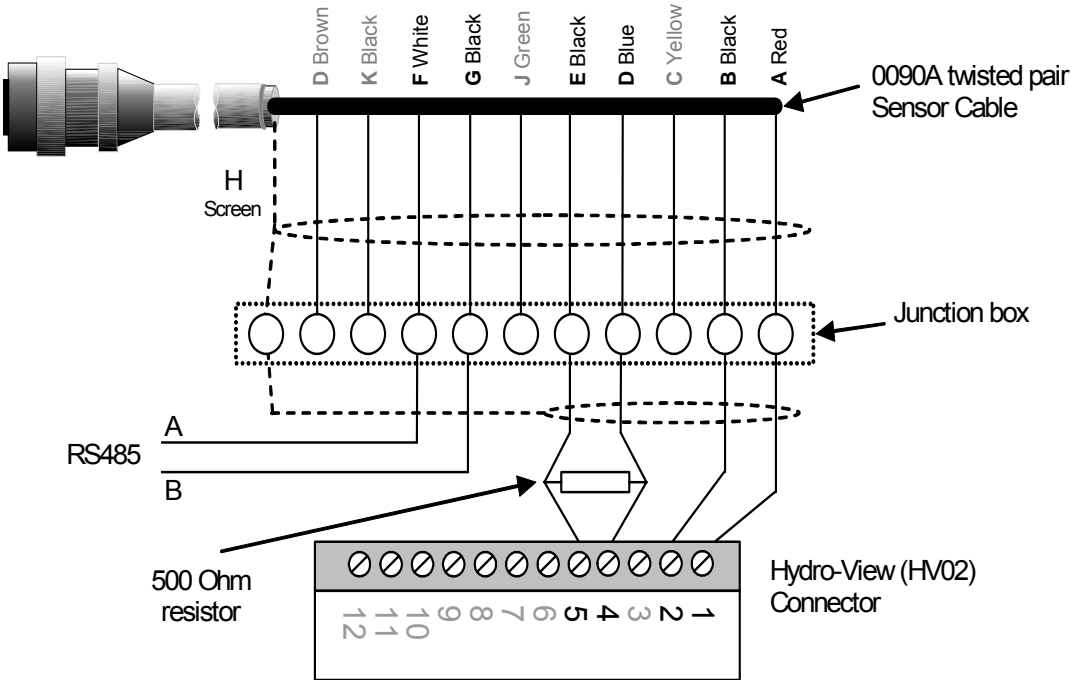
The Hydro-Probe II must be connected using the Hydronix sensor cable (part no 0090A), available in different lengths to suit the installation. Any extension cable required should be connected to the Hydronix sensor cable using a suitable screened junction box.

Installation guidelines

- Ensure that the RS485 cable is taken back into the control panel. This can be used for diagnostic purposes and takes the minimum of effort and cost to connect at the time of installation. To connect to a PC use a suitable converter – see Hydro-Probe II user guide HD0193 for more details.
- Route the signal cable away from any power cables.
- The sensor cable should **only** be grounded near to the sensor.
- Ensure that the cable screen is **not** connected at the control panel.
- Ensure that there is continuity of the screen through any junction boxes. Keep the number of cable joins to a minimum.
- Three twisted pairs required (6 cores total) cable with 22 AWG, 0.35mm² conductors.
- Screen (shield): Braid with 65% minimum coverage plus aluminium/polyester foil.
- 500 Ohm resistor – The recommended resistor is an epoxy sealed precision resistor of the following specification: 500 Ohm, 0.1% 0.33W
- Maximum cable run: 200m.

Connecting the Hydro-Probe II to the Hydro-View

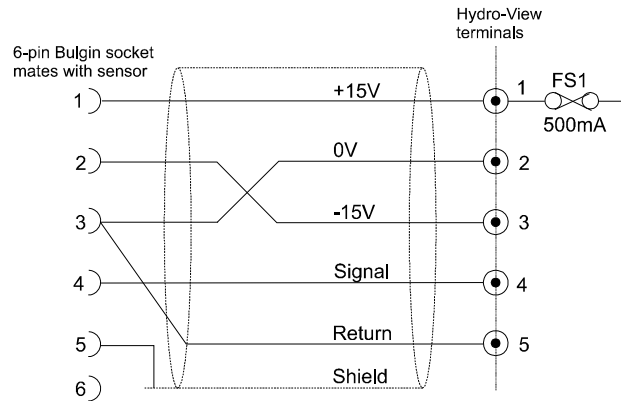
To connect to a Hydro-View, the Hydro-Probe II needs to be set to compatibility mode. This mode allows the Hydro-Probe II to directly replace an existing Hydro-Probe (HP01). The 500 Ohm resistor supplied with the cable is required to convert the analogue current output to a voltage signal



• Figure 20: Connecting the Hydro-View to a Hydro-Probe II

Sensor Connections – Hydro-Probe I

Hydronix moisture sensors are terminated in a 6-way Bulgin connector with a 1m lead attached to the sensor. It is therefore necessary to wire an extension cable between the sensor connector and the Hydro-View unit. The connection diagram is given in Figure 21.



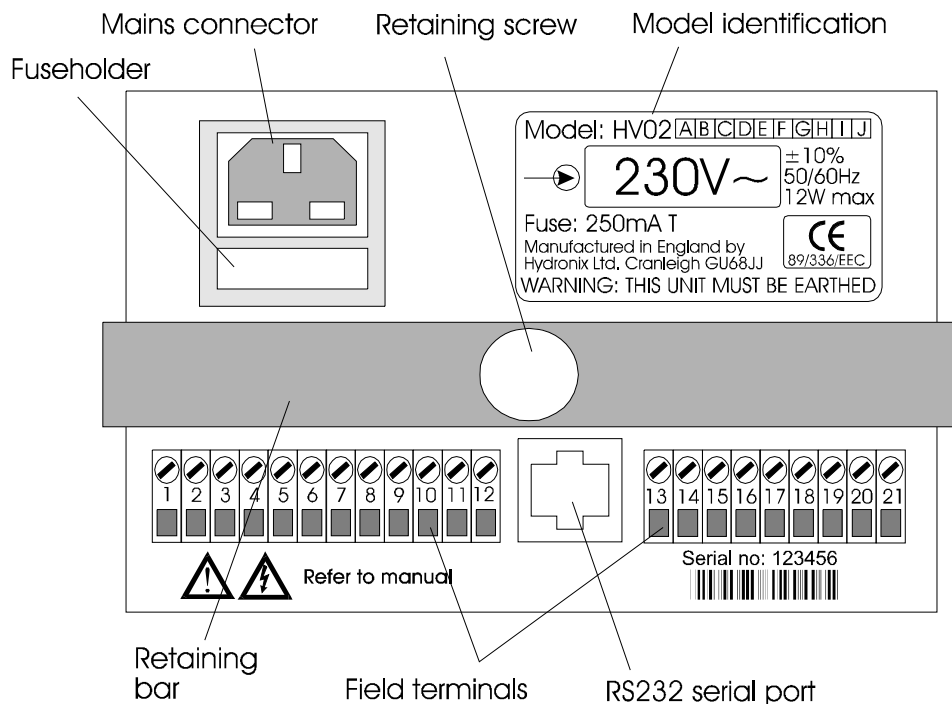
• Figure 21 - Sensor extension cable connections

The cable should be 5 or 6 core screened multi-core with 0.5mm² conductors.

Note that it is NOT satisfactory to use a 4-core cable with terminals 2 and 5 connected at the Hydro-View end - this will lead to 'common impedance' type interference problems.

The +15V power rail is protected internally against short circuits by a 500mA plug-in fuse (FS1) which may be replaced easily if required.

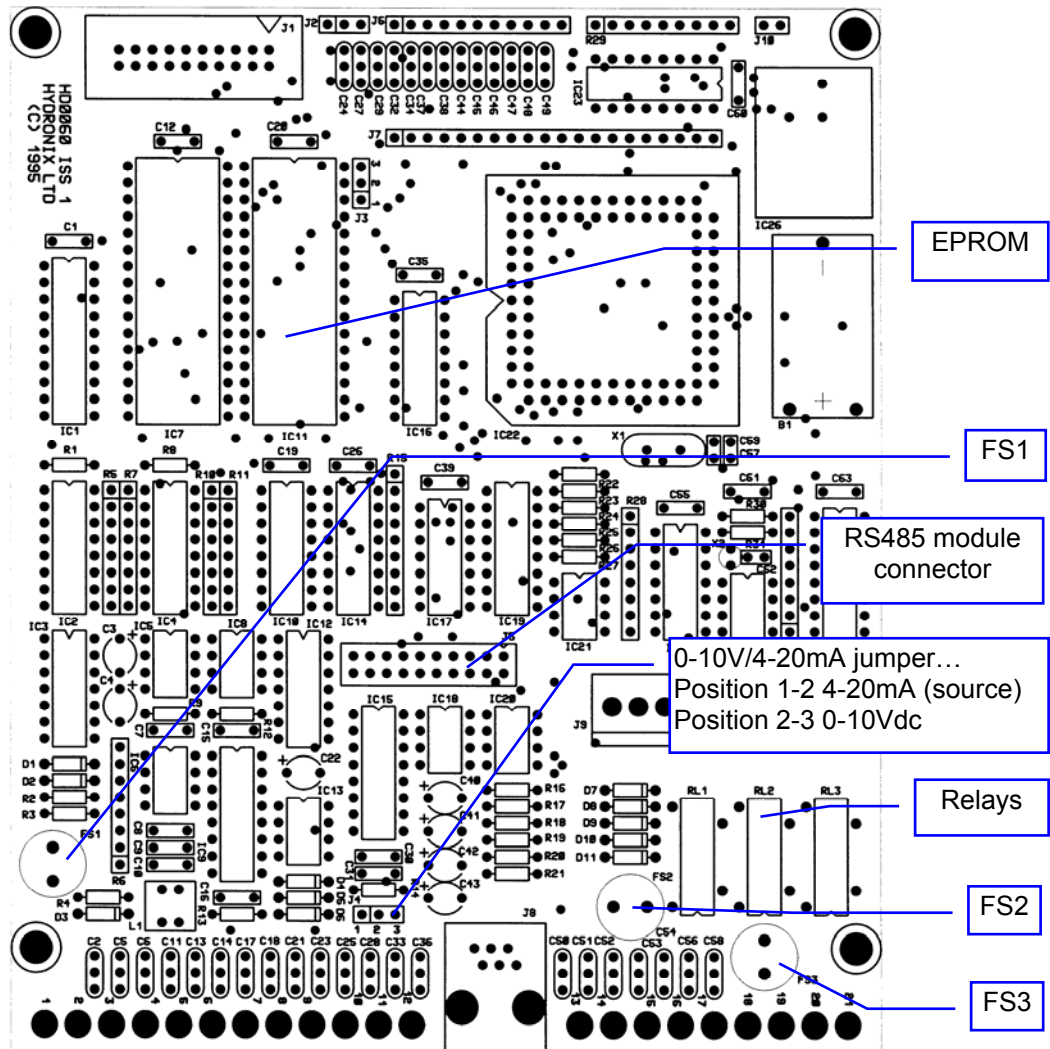
Warning: Never connect other equipment to the +/-15V supply intended for the moisture sensor.



• Figure 22 - Hydro-View rear panel

Analogue output connections

The analogue output may be configured for use either as 0-10V (default) or 4-20mA. The selection is made via an internal jumper as shown in Figure 23 which shows the main circuit board inside the Hydro-View. The jumper is located close to the analogue output terminals 6 and 7.

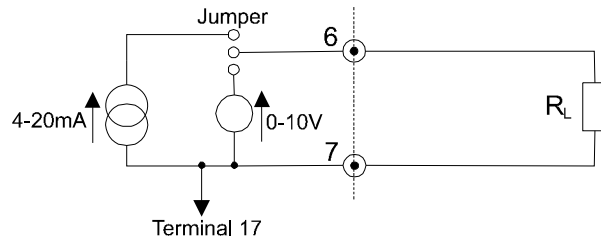


• Figure 23 - Hydro-View main circuit board

Wiring details are shown in Figure 24.

Note that the analogue output shares a common supply rail with the internal 24V supply connected to terminal 17 - see *Digital input connections* on page 60 for further details.

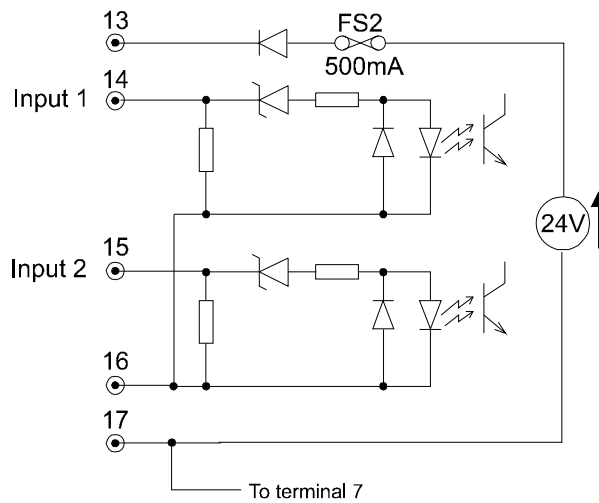
The working range of the analogue output is set in the Output set-up menu (see p33).



• Figure 24 - Analogue output wiring

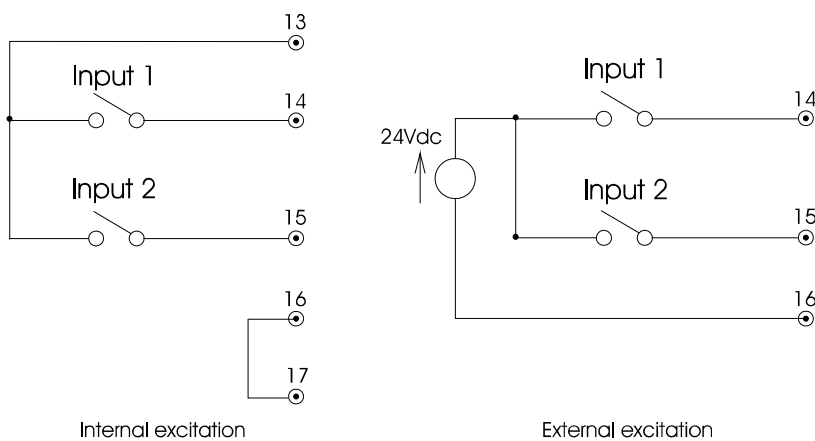
Digital input connections

The two digital inputs (terminals 14 & 15) share a single common terminal (16) and are arranged internally as shown in Figure 25.



• Figure 25 - Digital inputs

Terminals 13 and 17 are connected to an internal dc power supply which may be used as an excitation supply for voltage-free contacts if required as shown in Figure 26.



• Figure 26 - Internal/external excitation

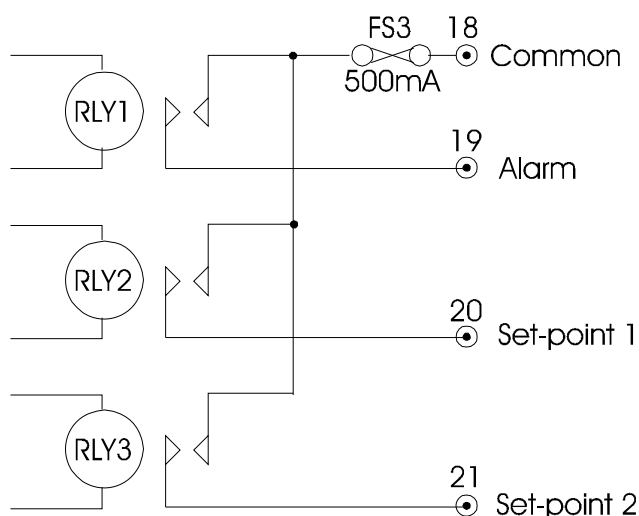
Terminals 7 and 17 are connected internally - if the internal supply is used for input excitation, then galvanic isolation between analogue output and the digital inputs cannot be achieved.

A 500mA fuse (FS2) protects the internal 24V supply from external wiring errors. The fuse is a plug-in type and is easily replaced should it fail.

Warning: Do not attempt to use the internal 24V supply for purposes other than providing digital input excitation for the Hydro-View.

Relay output connections

The alarm and set-point output relays are implemented using reed-relays as shown in Figure 27.



• Figure 27 - Relay output schematic

Care must be taken to avoid contact welding by fitting external contact snubber (typically 100R in series with 0.1uF) across the contacts when driving inductive loads. You should also ensure that such loads are fitted with suitable transient suppressors **at the load** to reduce electromagnetic interference.

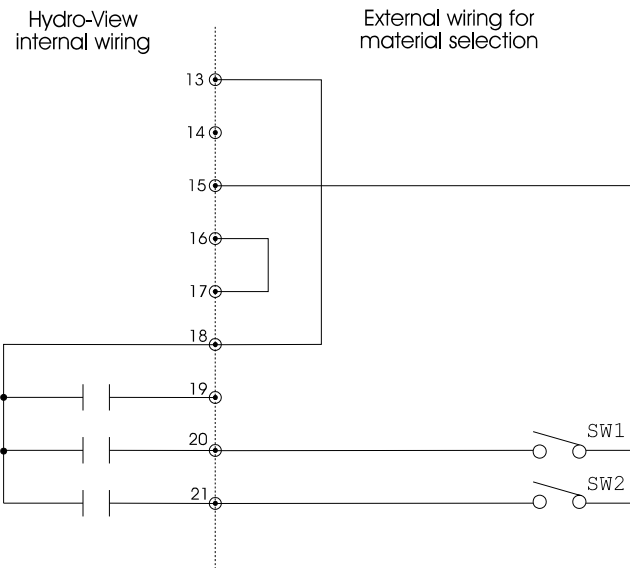
The relay contacts are rated at 240Vac 500mA (resistive). An internal series fuse (FS3) limits the TOTAL load taken by all three relays to 500mA.

Plug-in replacement relays and fuses are available from Hydronix.

Material selection using Digital I/O

This mode allows one of four material calibration tables to be selected. Since this requires the use of the set-point output relays these functions are automatically disabled when the mode is selected. The digital input used in the diagram is input 2, but input 1 could also be used; the input must be configured for material selection using the relevant item on the *Main menu*.

The electrical connections for using this method are shown in Figure 28.



• Figure 28 - Material selection using digital I/O

A multiplexing method is used by the Hydro-View to determine the state of the two external switches SW1 and SW2 and thus to determine which material calibration table to use. These 'switches' may of course be 'outputs' from a control system; however, they must be of the 'voltage-free' type for the scheme to operate correctly. The diagram above shows the internal excitation supply being used, but an equivalent arrangement for external excitation is possible.

The multiplexing sequence performed by the Hydro-View is as follows...

- ⇒ Close relay output on terminal 20 and open relay on terminal 21.
- ⇒ Read state of SW1 on terminal 15.
- ⇒ Open relay on terminal 20 and close relay on terminal 21.
- ⇒ Read state of SW2 on terminal 15.
- ⇒ Repeat from beginning as required.

The Hydro-View requires that the state of switches SW1 and SW2 remain stable for two multiplexing cycles before it updates its internal values. To avoid excessive wear on the Hydro-View relay contacts, this process takes about 5 seconds to complete and thus the external control system should allow sufficient time for any changes of material to be propagated to the Hydro-View.

The material table number corresponding to the states of switches SW1 and SW2 is given by...

SW2	SW1	Material table
Open	Open	1
Open	Closed	2
Closed	Open	3
Closed	Closed	4

Protection from lightning strikes

You should give some consideration to protecting the Hydronix installation from damage due to lightning and similar electrical disturbances.

Many installations of Hydronix equipment will be into situations which are particularly prone to damage by lightning, for example...

- Tropical regions.
- Outdoor installations.
- Long cable runs between the sensor and instrumentation.
- Tall, electrically conductive constructions (e.g. aggregate bins).
- High value computer equipment connected.

Although the Hydro-View model HV02 is fitted with opto-isolation on the sensor input, these will not prevent damage in all cases. Precautions should still be taken to avoid damage by lightning in areas where there is a known risk.

We would recommend the installation of suitable lightning barriers to all conductors in the sensor extension cable. Ideally, these would be fitted at both ends of this cable to protect both the moisture sensor and the Hydro-View (and equipment connected to the Hydro-View).

Please consult your Hydronix distributor for further information regarding lightning protection on our equipment.

Troubleshooting

Factory test display

The Hydro-View includes a factory test display page to assist in troubleshooting if problems are suspected with the Hydro-View itself. This requires a special access code - see *Access codes* (p79) and once selected, it is necessary to remove power from the Hydro-View to restore normal operation.

Since this function exercises the inputs and outputs of the Hydro-View, it is not recommended that this be used when the Hydro-View is connected to the plant. The test page performs the following operations...

- Displays the voltage at the sensor input.
- Cycles the voltage/current on the analogue output between 0, 50% and full scale.
- Operates each output relay in turn.
- Performs an external loop-back test on the serial port. You must connect transmit data to receive data to see this.
- Displays the state of the digital inputs.

To use the factory test display...

1. Remove power to the Hydro View.
2. Disconnect all wires connected the Hydro View terminals after first noting their positions.
3. Connect jumpers in the positions shown in Figure 29. If you wish to test the RS232 port, you will need to use a RJ11 to 9-pin D-type connecting cable, available from Hydronix.
4. Re-apply power and enter pass code given in *Access codes* (p79).
5. Select menu option Factory Test.

If the Hydro-View is working correctly the following actions will take place on the display...

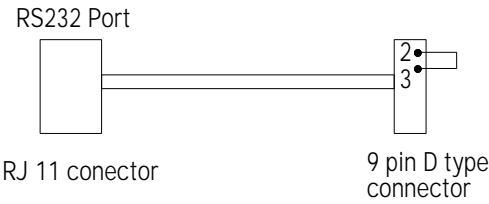
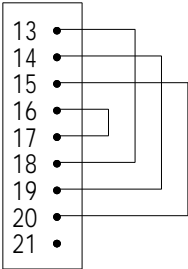
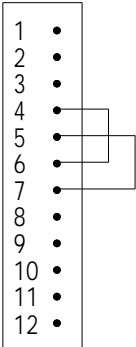
- Analogue output voltage (OUT) will cycle between 0, 5 and 10V.
- Sensor input voltage (IN) will cycle between 0, 5 and 10V at the same time as the output voltage due to the feedback wiring.
- Output relays (out) 1, 2 and 3 will cycle in a binary sequence...

<u>3</u>	<u>2</u>	<u>1</u>
0	0	0
0	0	1
0	1	0
0	1	1
1	0	0
1	0	1
1	1	0
1	1	1
0	0	0
etc.		

- Digital input signals (in) 1 and 2 are connected back to relays 1 and 2 and will therefore follow the pattern above.
- Battery (Batt) will display 1 if the internal Lithium battery is healthy, otherwise it will display 0.

- Key will display the name of the relevant key when pressed.
- RS232 (232) will scroll "The quick brown fox jumps over the lazy dog"

Contact your distributor for further details if any of the above fail to operate correctly.



• Figure 29 - Factory loop-back test wiring

Installation problems

The table below lists some symptoms that may be encountered during installation of the Hydro-View. If you are unable to solve the problem please contact your Hydronix distributor.

Symptom	Probable cause	Remedy
<i>Blank display</i>	Display contrast set incorrectly.	Adjust contrast. See <i>Display contrast adjustment</i> (p21).
	No mains power.	Check mains supply and IEC inlet fuse. If fuse blows repeatedly contact your supplier.
<i>Sensor readings do not change.</i>	No sensor power supply.	Check internal fuse FS1 and replace if required (see Figure 23 (p59)). See also <i>Sensor installation faults</i> overleaf.
	Incorrectly wired cable	
	Bad sensor location.	

Symptom	Probable cause	Remedy
<i>Cannot see required menu item.</i>	Access code not entered.	Enter the access code for the required facility.
<i>Unable to enter calibration values.</i>	Incorrect order of moisture value.	Moisture % 2 must be greater than Moisture % 1 in calibration screen. Difference must be >1%.
<i>No analogue output.</i>	Fuse blown	Check internal fuse FS2 and replace if necessary. Check wiring for analogue output and digital inputs which share a common power supply.
<i>Analogue output does not change</i>	Output set-up is set for Calibrate variable	Go to Output set-up and select relevant output variable.
<i>Digital inputs do not operate</i>	No input excitation power.	If using external 24V power source, check common connection at terminal 16. If using internal source, check that you have linked terminal 16 to 17. Check internal fuse FS2 and replace if necessary.
<i>Relay outputs do not operate</i>	Incorrect settings Fuse blown.	Check alarm and set-point settings. Check internal fuse FS3 and replace if necessary. Check external wiring.
<i>No serial communications</i>	Contacts welded. Incorrect configuration	Replace plug-in relay. Check that the serial port has been enabled for the purpose you require. If using RS485, verify that the optional RS485 module is installed.

Sensor installation faults

The moisture display reading being excessively low, or excessively high, or not changing at all would normally suggest a fault.

This may be caused by...

- faulty interconnecting wiring – most common error
- blown DC fuse in Hydro-View
- sensor in wrong position
- faulty sensor
- faulty Hydro-View

The following steps should help to locate the fault.

1. Carefully check the wiring to the sensor in accordance with the information given in *Figure 21* (p58). Take particular care with the cross-over between pins 2 and 3 of the Bulgin connector and terminals 2 and 3 at the Hydro-View. Also ensure that the two ground connections at pin 3 of the Bulgin are made correctly and that stray wire strands from the cable shield are not shorting to other pins within the Bulgin connector.
2. Disconnect the sensor from the Hydro-View by unplugging the terminal block. Use a voltmeter to check the sensor power supply voltages at terminals 1-2 (+14.5 to +15.5Vdc) and 3-2 (-14.5 to -15.5Vdc) at the rear of Hydro-View. If this test fails, the

fault is in the Hydro-View and may be a blown fuse – check FS1 and replace if required (see Figure 23 (p59)). Later revisions of the HV02 are fitted with re-settable fuses, so remove power for about 30 seconds and try again.

3. Disconnect the sensor at the 6-pin Bulgin connector. Replace the terminal block on the Hydro-View and repeat the measurements in 2 above. A change in the indicated measurements suggests there is a fault in the extension cable wiring. When using **Hydro-Probe II** or **Hydro-Mix II** sensors the -15Vdc power supply rail is unused but this voltage should still be checked if the wiring is present.
4. Now reconnect the sensor, and repeat the measurements in 2. You may find that the voltages reduce slightly. On older Hydro-View units (model HV01), the voltage across terminals 3-2 will drop significantly but should still be in the range -5 to -15.5V. If this test fails there may still be a fault in the extension cable wiring, but also possibly a fault either internal to the sensor or in the short length of cable connecting to the sensor.
5. Verify that the power supply voltages for the sensor are present at the sensor end. To do this you will need to unscrew the Bulgin connector (on the extension cable side) so that you can measure voltages with the sensor connected. Measure this time across pins 1-3 (+12V to +15.5V) and 2-3 (-5V to -15.5V).
6. Check that the sensor output signal can be measured between pin 4 and 3 (at the Bulgin connector) and terminals 4 and 5 at the Hydro-View. The signal should change according to the moisture content (see below). To do this test it may be necessary to remove the sensor from its installed location.
7. Check that the signal voltage measured across terminals 4 and 5 on the rear of Hydro-View is the same as the displayed voltage shown on the “Sensor Diagnostics” display (mV). Differences of more than 100mV (measured on an appropriate meter range) suggest a fault within the Hydro-View itself.

Sensor characteristics

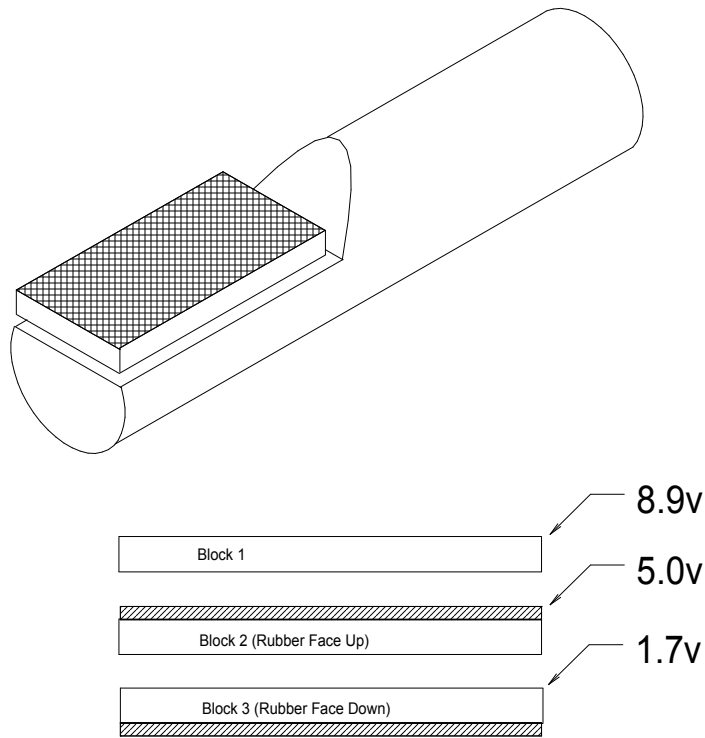
The sensor output signal is a DC voltage that varies inversely (and in a non-linear manner) with the moisture of the material being measured. The approximate response of a sensor is as indicated in the table below.

Condition	Approx. Sensor Volts DC
Sensor in open air	10.0 $\bar{\Pi}$ 12.0
Very dry sand (0.0 $\bar{\Pi}$ 2.0%)	10.0 $\bar{\Pi}$ 8.0
Medium wet sand (4.0 $\bar{\Pi}$ 8.0%)	6.0 $\bar{\Pi}$ 4.0
Very wet sand (12.0 $\bar{\Pi}$ 16.0%)	3.0 $\bar{\Pi}$ 1.0

Two simple tests may be performed to check whether the sensor is working correctly...

1. Pressing the palm of your hand very firmly on the ceramic faceplate of the sensor will simulate the condition of very wet sand. Therefore, first check the open-air voltage and then press your hand against the sensor, which should reduce the voltage to approximately around 2 volts.
2. A more precise test (for Hydro-Probe sensors only) uses two test blocks that may be purchased for this purpose as indicated in Figure 30 below. This is an approximate test, so providing that the sensor output voltage is within 1 volt of the voltage marked on the block, then the sensor may be deemed to be operating satisfactorily. Block 1 simulates dry material. Block 2 has two faces - with the black rubber face uppermost it

simulates a medium wet material and with the black rubber face in contact with the ceramic plate simulates a very wet material.

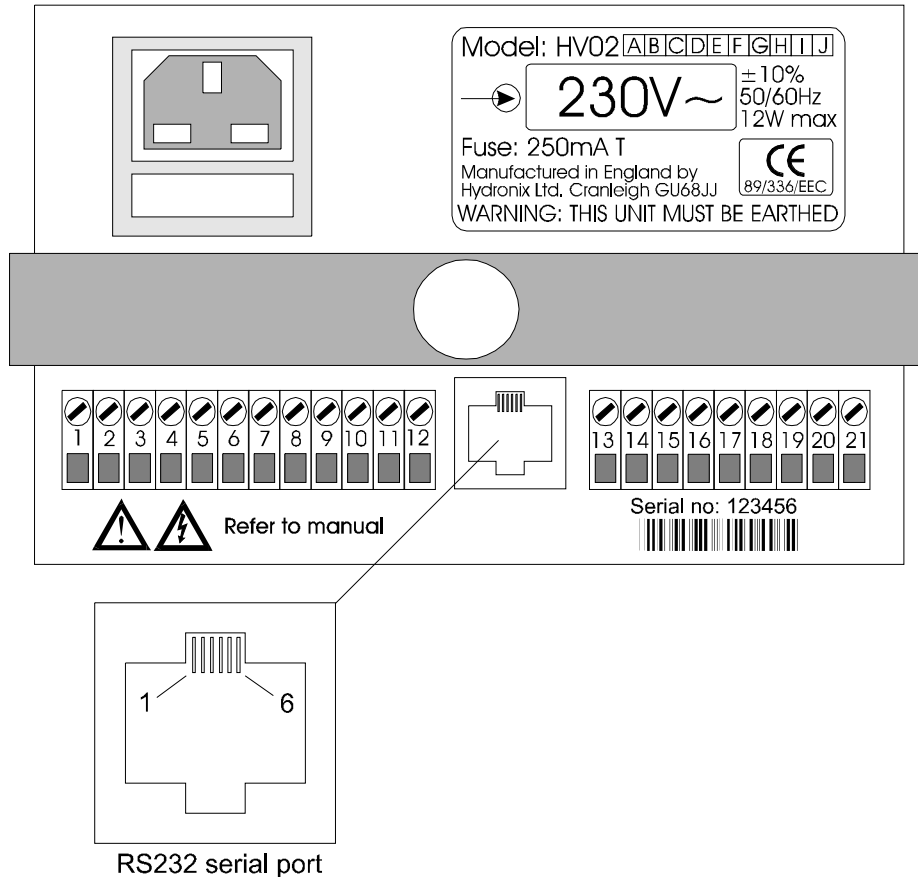


• Figure 30 : Using test blocks

Notes

RS232 serial port

The RS232 connection is via a 6-way RJ11 style plug. Hydronix can supply a standard 2m lead terminated in a 9-pin female D-type for connection to a IBM-PC compatible communication (COM) port - please ask for details.



• Figure 31 - RS232 serial port

RJ11 Pin	Signal (relative to Hydro-View)	PC-compatible 9-way
1	Request to send (biased internally to active state)	8
2	Transmit data	2
3	0V	5
4	0V	
5	Receive data	3

Note: to ensure that the system meets the requirements of EMC directive 89/336/EEC the cable should be fitted with a ferrite rf attenuator close to the RS232 socket of the Hydro-View when the serial port is in use.

RS485 serial port

The RS485 serial port provides an optically-isolated twisted-pair interface between multiple Hydro-View units and a host computer or master Hydro-View.

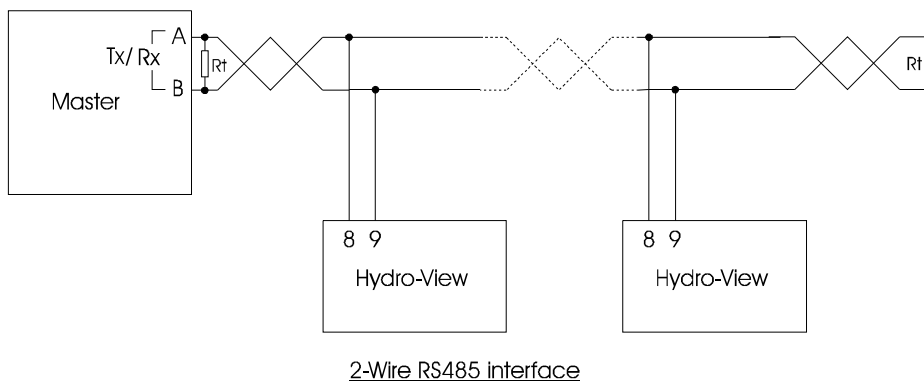
Installation of RS485 module

The RS485 interface is supplied on a plug-in module which must be inserted into the Hydro-View unit unless this was installed as a factory option...

- ⇒ Remove the screws securing the lid of the Hydro-View.
- ⇒ Lift the lid off the unit to expose the circuit board.
- ⇒ Locate the RS485 module connector on the circuit board as shown in Figure 23 on page 59.
- ⇒ Plug the module into this connector - only one orientation is possible.
- ⇒ Refit the lid and screws.

RS485 connections

The Hydro-View implements RS485 using a two wire interface. This is shown in Figure 32.



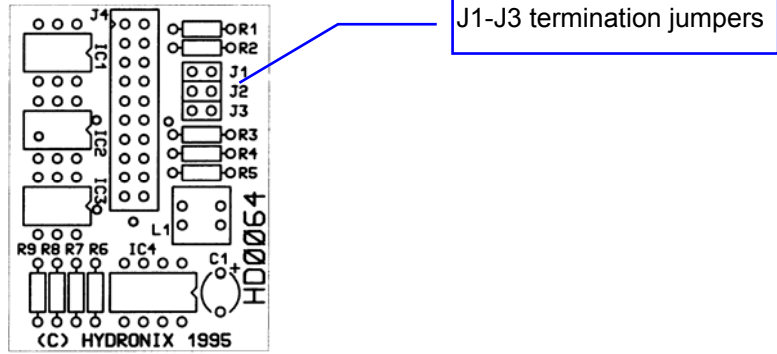
• Figure 32 - RS485 interface

Shielded twisted-pair cable is recommended for EMC purposes. The shield should be connected to ground at one end only to minimise capacitive coupling (the twisted pair cable will minimise magnetic coupling).

RS485 termination

Note that the twisted pair cable should be terminated at each end in a resistor equivalent to the characteristic impedance of the cable used - typically 100R/0.5W. These are indicated by R_t in Figure 32.

The RS485 module (shown in Figure 33) contains a termination resistor which may be placed in circuit by inserting jumper J3 on the relevant module(s). This should be done for those units at each end of the twisted pair.



• Figure 33 - RS485 module circuit board

The RS485 module also includes RS485 line bias resistors to bias an un-driven line to a known condition. ONE module only in a system should have these enabled by inserting jumpers J1 and J2 - normally this would be done on the unit configured as a MASTER station.

The RS485 module is supplied with J1, J2 and J3 installed by default.

Data log mode

The Hydro-View provides a continuous stream of data output on the relevant port which may be captured by an external device.

This data stream is in ASCII format and contains the NOW and AVERAGE moisture values according to the programmed data log rate.

The data format used is as follows...

<STX>NNN.NN,AAA.AA<CRLF>

where...

- <STX> is the ASCII start of text character (hex 02).
- NNN.NN is the NOW moisture value in the range -99.99 to 99.99%.
- AAA.AA is the AVERAGE moisture value in the range -99.99 to 99.99%.
- <CRLF> is the ASCII carriage return - line feed combination (hex 0D, hex 0A).

The data rate/format used is 9600 baud, 8 data bits, no parity, 1 stop bit. This cannot be altered.

The data logging format changes when the unit is configured as a Master on the other serial port. The data stream is again in ASCII format and contains the GROUP moisture values updated according to the programmed data log rate.

The data format used is as follows...

<STX>MMM.MM,NNN.NN,AAA.AA<CRLF>

where...

- <STX> is the ASCII start of text character (hex 02).
- MMM.MM is the group M1 value in the range -99.99 to 99.99%.
- NNN.NN is the group M2 value in the range -99.99 to 99.99%.

AAA.AA is the group average moisture value in the range -99.99 to 99.99%.
<CRLF> is the ASCII carriage return - line feed combination (hex 0D, hex 0A).

Batch print mode

The Hydro-View provides a report at the end of a batch (as determined by the state of the average/hold input) on the relevant port which may be printed or captured by an external device.

This data stream is in ASCII format and contains the NOW and AVERAGE moisture values updated once per second.

The data format used is as follows...

Now = NNN.NN%, Avg = AAA.AA%<CRLF>

where...

NNN.NN is the NOW moisture value in the range -99.99 to 99.99%.
AAA.AA is the AVERAGE moisture value in the range -99.99 to 99.99%.
<CRLF> is the ASCII carriage return - line feed combination (hex 0D, hex 0A).

The data rate/format used is 9600 baud, 8 data bits, no parity, 1 stop bit. This cannot be altered.

The batch print format changes when the unit is configured as a Master on the other serial port. The Hydro-View provides a report at the end of a batch as determined by the state of the average/hold inputs across **all** units involved in the group.

The data format used is as follows...

M1 = MMM.MM%, M2 = NNN.NN%, Avg = AAA.AA%<CRLF>

where...

MMM.MM is the group M1 value in the range -99.99 to 99.99%.
NNN.NN is the group M2 value in the range -99.99 to 99.99%.
AAA.AA is the AVERAGE moisture value in the range -99.99 to 99.99%.
<CRLF> is the ASCII carriage return - line feed combination (hex 0D, hex 0A).

ASCII Hex mode

The ASCII-Hex mode uses a communications protocol which is designed to be simple to implement and test whilst allowing a reasonable degree of performance to be achieved. It should be possible to implement a suitable driver from most high level languages such as 'C' or BASIC running on standard PC-compatibles or even BASIC modules in programmable controllers whilst 'trials' can be performed from standard communications programs such as Microsoft Windows 'Terminal', Hayes 'Smartcom' etc.

Driver code for such applications is beyond the scope of this manual.

Scope

Using ASCII-Hex protocol you can perform tasks via the Hydro-View serial port such as...

- Read instantaneous (NOW) moisture value.
- Read average moisture value.
- Read set-point output status flags.
- Read average/hold status.
- Read level input status.
- Set current material number.

The Hydro-View communications port acts as a SLAVE device when running the ASCII-Hex protocol i.e. it will transmit data only in response to requests from your external device.

Future issues of the Hydro-View system firmware will support additional operations via the serial port and these will be documented in updates to engineering note EN0005 and later incorporated into this manual.

Physical connection

The ASCII-Hex protocol can be used on either the RS232 port which is fitted as standard to all Hydro-View units or on the optional RS485 port which may be fitted as an optional extra.

Line signalling information

The ASCII-Hex protocol operates only at 9600 baud, using 8 data bits, 1 stop bit and no parity.

Basic frame format

Data frames on the communications link are constructed as indicated in the table below.

Field	Format	Description
STX	02	Start of frame.
STATION	Two ASCII-Hex characters	Represents the station number of the relevant Hydro-View. Valid slave station numbers are in the range 01-7F (1-127 decimal). Reply frames from slave stations have the top bit of the station number set and thus reply station number fields are in the range 81-FF. The purpose of this mechanism is to allow discrimination between request and reply data frames over a two-wire RS485 link.

Field	Format	Description
REQUEST	Two ASCII-Hex characters	Two ASCII Hex characters representing a request to be processed. Valid request codes are in the range 01-FF, but only certain commands will be recognised by the Hydro-View - see below.
DATA	Two ASCII-Hex characters per byte of data	As required by the COMMAND field. Data entities larger than one byte are transmitted low-byte first in keeping with the order used by Intel family processors (such as those in the IBM-PC) which allows data to be streamed directly into a 'C' data structure (for example) without re-ordering of data. Motorola family processors will need to assemble the data bytes accordingly for both transmission and reception.
CHECKSUM	Two ASCII-Hex characters	Byte-wise exclusive-OR (XOR) of all characters from the station number to the end of data inclusive.
ETX	03	End of frame.

Frame types

The master device issues *request* frames. These frames either solicit data from the slave or send information to the slave for it to process, or a combination of both. The slave can respond to a request in one of four ways...

- It processes the request and issues an *acknowledge* frame back to the master.
- It processes the request and issues a *reply* frame back to the master containing some data.
- It does not process the request because the request was invalid although not corrupted. An *acknowledge* frame is then sent containing an error code.
- It does nothing. In this case, the slave may have detected an error (usually corruption) but cannot reply because to do so may result in further errors. An example of this may be a faulty checksum in the request - the slave cannot reply here since it would not be certain that the station number itself had not been corrupted. In this case the slave will ignore the faulty frame and attempt to synchronise to the next STX character.

Request frame format

Issued by the master station. Format as per table in *Basic Frame Format* above.

Acknowledge frame format

Issued by slave stations.

The station number has the top bit set as described in *Basic Frame Format* above.

The request field is returned unaltered.

The data field is a single byte (two hex digits) code from the following table...

Code	Mnemonic	Description
00	OK	The request frame was received and processed without error.
01	BAD_REQUEST	The request field of the request frame was not understood by the slave. This may mean that the version number of the firmware running in the slave is out of date.

Code	Mnemonic	Description
02	BAD_DATA	The data field contained data which was out of range for the specific request.
03	BAD_LENGTH	The frame length was incorrect for the request. This would normally mean that you have supplied either too little or too much data.

Additional acknowledge codes may be added in future versions.

Reply frame format

Issued by slave stations.

The station number has the top bit set as described in *Basic Frame Format* above.

The request field is returned unaltered.

The data field is a series of single bytes (two hex digits) code according to the request frame being processed.

Request frame types ('command set')

The different types of request which a slave will respond to are given below in terms of the request code (hexadecimal), request data field and reply frame description.

Read Moisture - request code 01

This will return the current moisture values from the slave together with some status flags.

Request data	Format	Description
Material number	HH	Two hex digits (one byte) representing the material number to use in the range allowed by the Hydro-View (currently decimal 1-10). If this field is set to 00, then the material number in the slave will not be changed. The slave will not allow its material number to be changed unless it is configured appropriately.

Reply data	Format	Description	
Now value	HHHH	Four hex digits (two bytes, LSB first) representing the instantaneous (NOW) moisture % in the slave. The data transmitted is in 0.01% units.	
Average value	HHHH	Four hex digits (two bytes, LSB first) representing the batch AVERAGE moisture % in the slave. The data transmitted is in 0.01% units.	
Control flags	HH	Two hex digits (one byte) representing some status flags as follows...	
		Bit	Description
		0-3	Represent the state of the batch average/hold function. This is coded numerically as follows... 0 - Hold state 1 - Timing (Average/hold delay) 2 - Averaging 3 - Low material level 4-F - currently undefined.
		4	Set-point 1 status
		5	Set-point 2 status
		6	Material low level (if configured)
		7	Alarm output on.

This is currently the only request frame type supported but meets most application requirements. Additional facilities will be added at a later date.

Timing constraints

The ASCII-hex protocol requires a communications link of reasonable performance in particular...

- A slave station will time out if the request frame does not complete within a period of 0.2 seconds following receipt of the STX character.
- The slave will normally respond within 0.1 seconds of the request frame being received. An upper limit on slave response time is set at 1 second, after which the slave will not begin a transmission. This figure is important to know for multi-drop systems (i.e. either 2 or 4 wire RS485) to prevent subsequent transmissions from being 'jammed' by a late slave reply.

ASCII Hex protocol examples

Read Moisture request

The following request frame will read the moisture data from station number 3, setting the material number to 5 in the process.

ASCII Character code (in hex)	Description
02	STX
30 33	Station number 03
30 31	Request code 01 - read moisture
30 35	Material number 05
30 37	Checksum 07
03	ETX

A typical response to this frame might be...

ASCII Character code (in hex)	Description
02	STX
38 33	Station number 83 (slave reply sets the top bit!)
30 31	Request code 01 - read moisture
41 33 30 32	NOW value in hexadecimal is 02A3. Converting this to decimal gives 675 or 6.75%.
37 31 30 32	AVERAGE value in hexadecimal is 0271. Converting this to decimal gives 625 or 6.25%.
31 31	Status flags indicating... Unit is in average/hold delay period. Set-point 1 is ON, Set-point 2 is OFF Material level is OK Alarm output is OFF
37 45	Checksum 7E
03	ETX

Access codes

The Hydro-View supports several levels of operator access, each protected by an appropriate code which is entered at the *Access code* option in the *Main menu*. Facilities enabled by entering an access code will remain active until a new code is entered.

The access codes are fixed in current models of Hydro-View.

For security reasons, you are advised to remove this page from the manual if necessary to prevent unauthorised access to the Hydro-View parameters.

<i>Access code</i>	<i>Facilities</i>
0 (default)	View main displays and adjust set-point ranges.
190	View diagnostic displays and calibrate sensor
213	Engineering level other than communications related parameters.
336	Full engineering access.
1459	Reset factory defaults and display factory test page.

Electromagnetic Compatibility Directive - 89/336/EEC

When installed and operated according to the instructions given in this guide, this equipment conforms to the requirements of Council Directive 89/336/EEC according to the following schedule...

Equipment type:	Hydro-View interface unit model number: HV02
Manufacturer:	Hydronix Ltd. 70, Smithbrook Kilns, Cranleigh, Surrey, England
Conformity criteria:	<i>Conducted emissions:</i> EN55011:1991 Group 1 Class A <i>Radiated emissions:</i> EN55011:1991 Group 1 Class A <i>Radiated immunity:</i> prEN50082-2:1992 <i>Electrostatic discharge:</i> prEN50082-2:1992 <i>Fast transient/burst immunity:</i> prEN50082-2:1992

Notes

Access code.....	31	digital	36, 60
Alarm	33	Installation	55
Analogue output.....	33, 59	Keypad	21
Application		Language	31, 37
batch mixing	16	Lightning	
batch weighing	11	protection barriers.....	63
continuous process	18	Main menu.....	24
ASCII Hex		Material	
protocol	75	in use	25, 29
Average/hold.....	11	selection	61
Batch mixing		selection mode	34
dribble-feed system.....	16	Moisture	
one-shot system.....	16	average	23
Batch print.....	74	Average	11
Calibration.....	12, 31, 43	display	22
entering results	46	group values.....	23
Checks	66	max/min.....	23
Clipping	25	now.....	12
Communications		Now	23
diagnostic.....	36	Power supply	55
Connections	56	Relays	61
Conveyor belt.....	18	RS232	35, 71
Data log.....	35, 73	RS485	35, 72
Default settings	37	station number.....	35
Display		watch	35
contrast adjustment.....	21	Samples	43
Fault-finding	64	Select key.....	21
Filtering	17, 25	Sensor	
Front panel.....	21	connections	58
Fuse		diagnostic	34
FS1	58	position.....	12, 17, 18
FS2	61	set-up menu	32
FS3	61	Set-point	25, 28
Gate signal.....	11	Soft key	22
Grouping channels.....	12	SSD	32
Groups	49	Storage bins	12
Help	24	Trend display.....	12, 25
key	21	Troubleshooting.....	64
Hydro-Mix.....	16	Unscaled input.....	32
Hydro-Probe.....	11	Water	
Hydro-Skid	18	valve control	28
Inputs		Weight correction.....	12

Notes