

**Engineering Note: EN0072 Current Loop Operation - All Sensors**

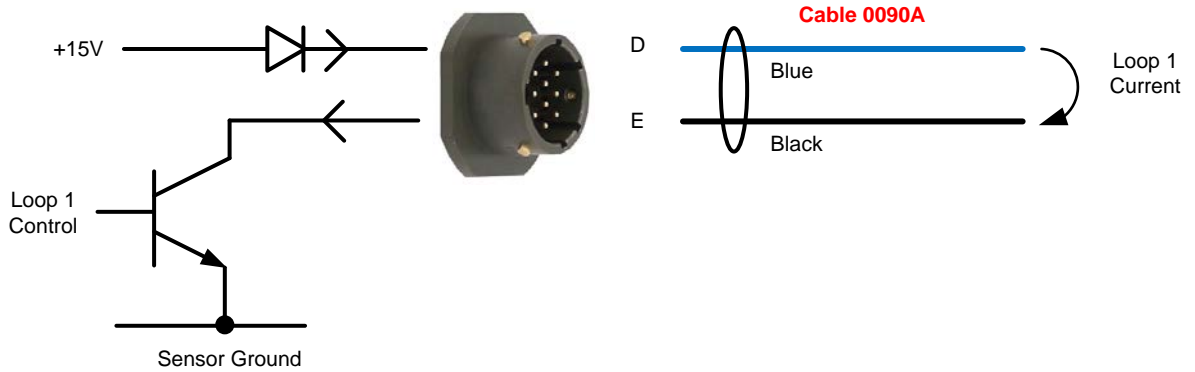
Summary: Current Loop Operation - All Sensors

Products affected: All Sensors

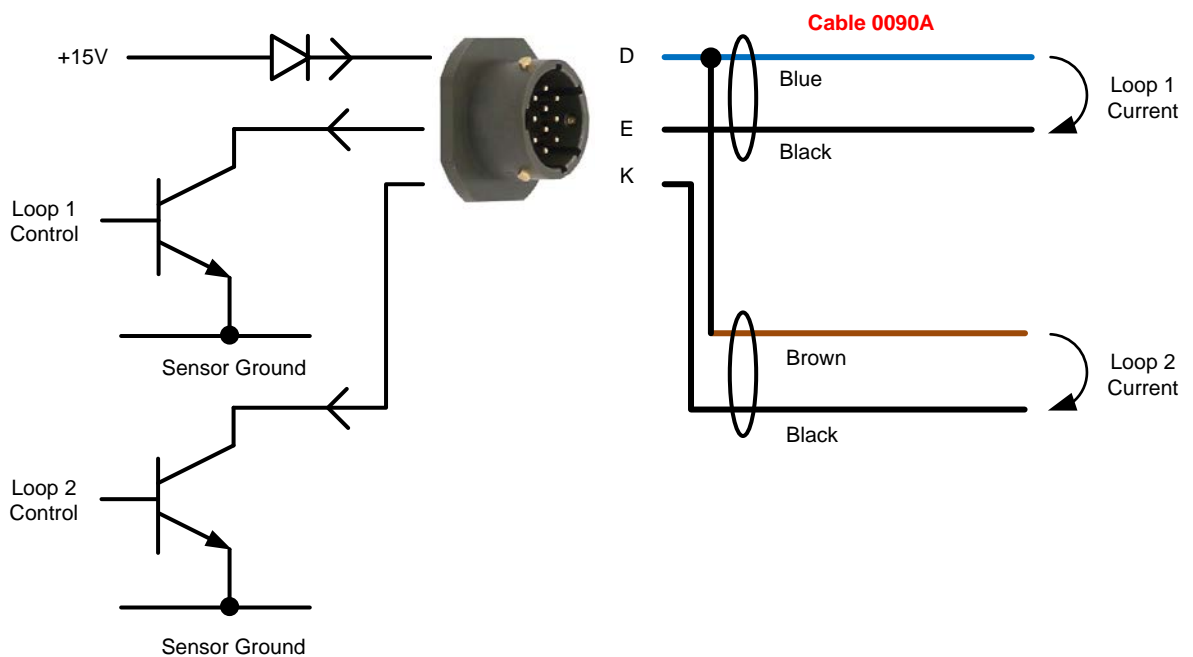
Revision Date: May 2015

Author: Paul Rogers

**HM05, HM06, HP02**



**ORB1, HPSE (Pre 2013)**



**HM07, HM08, HP04, HPXT, XT02, ORB2, ORB3, HPSE (post2013), SE02, SE03**

